

XE10-110-TX



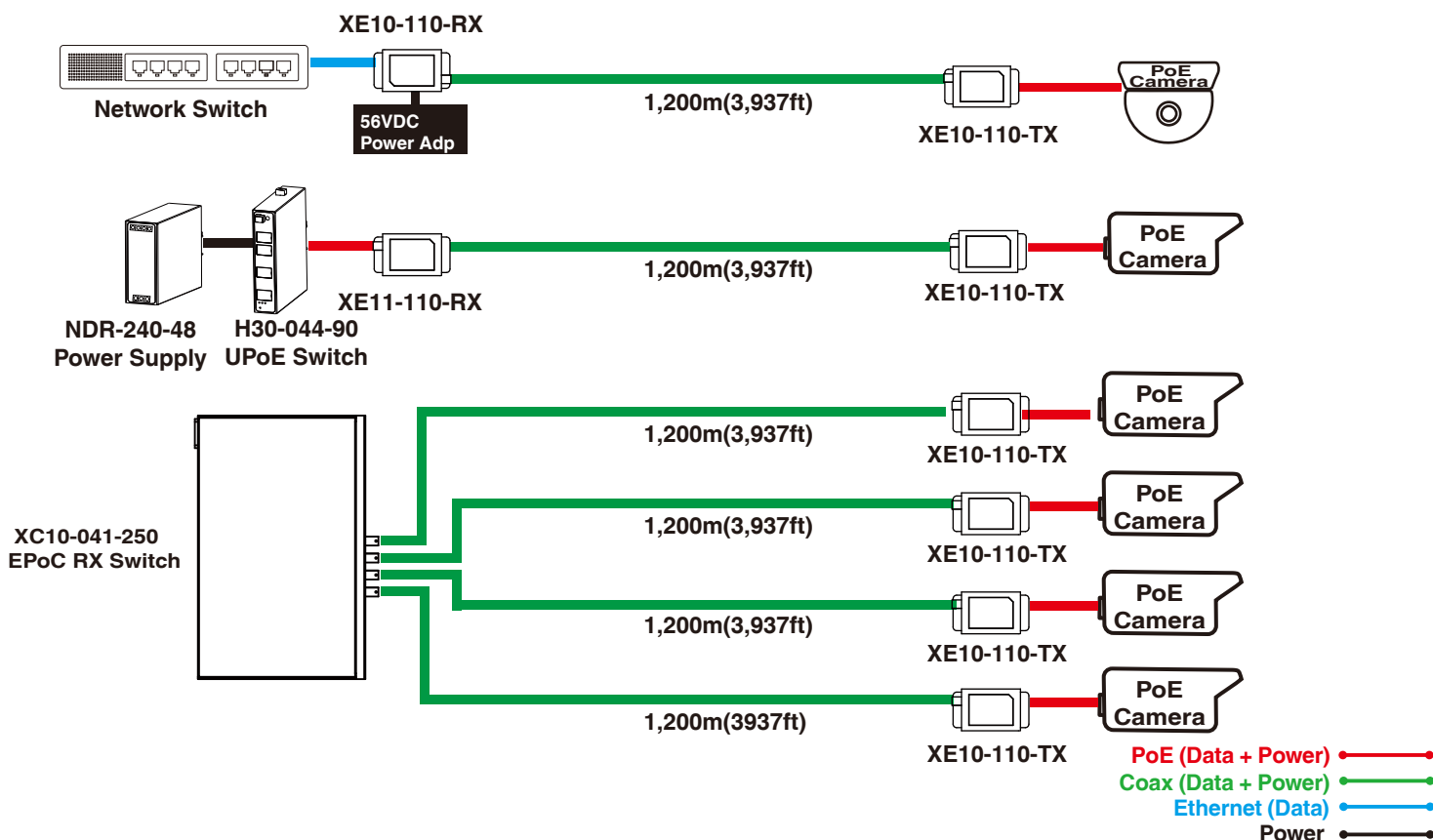
1-Port EPoC TX Adapter

The XE10-110-TX, a 1-to-1 EPoC (Ethernet & Power over Coax) transmitter(TX) equipped with 1 BNC port & 1 RJ-45 PoE port, is designed to connect a remote PoE IP camera over single coax without requiring extra power supply. This cutting-edge model delivers data and power at long range up to 1,200m for a PoE IP camera. Besides long-range PoE solution, XE10-110-TX is often used to upgrade legacy of CCTV to PoE IP surveillance without changing existing coaxial cable infrastructure.

Features

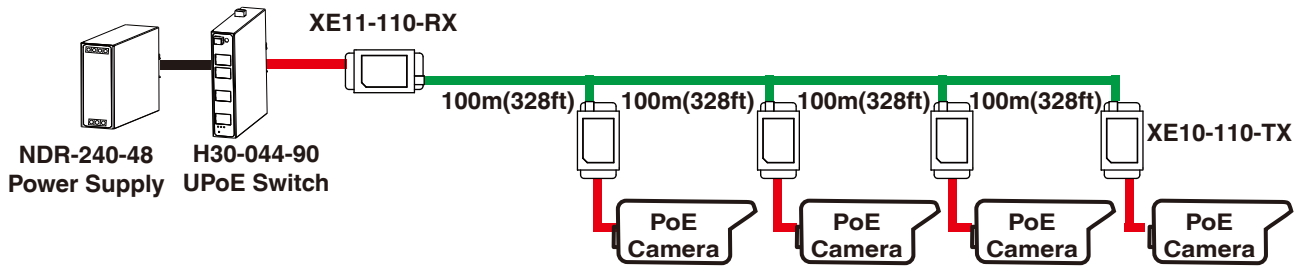
- One BNC coax port & one PoE LAN port
- Re-uses existing coax for a PoE IP camera
- Without requiring extra power adapter beside remote PoE IP camera
- Delivers up to 9.7 watts@1,200m(3,937ft) for a PoE IP camera
- PoE Output On/Off control

Applications

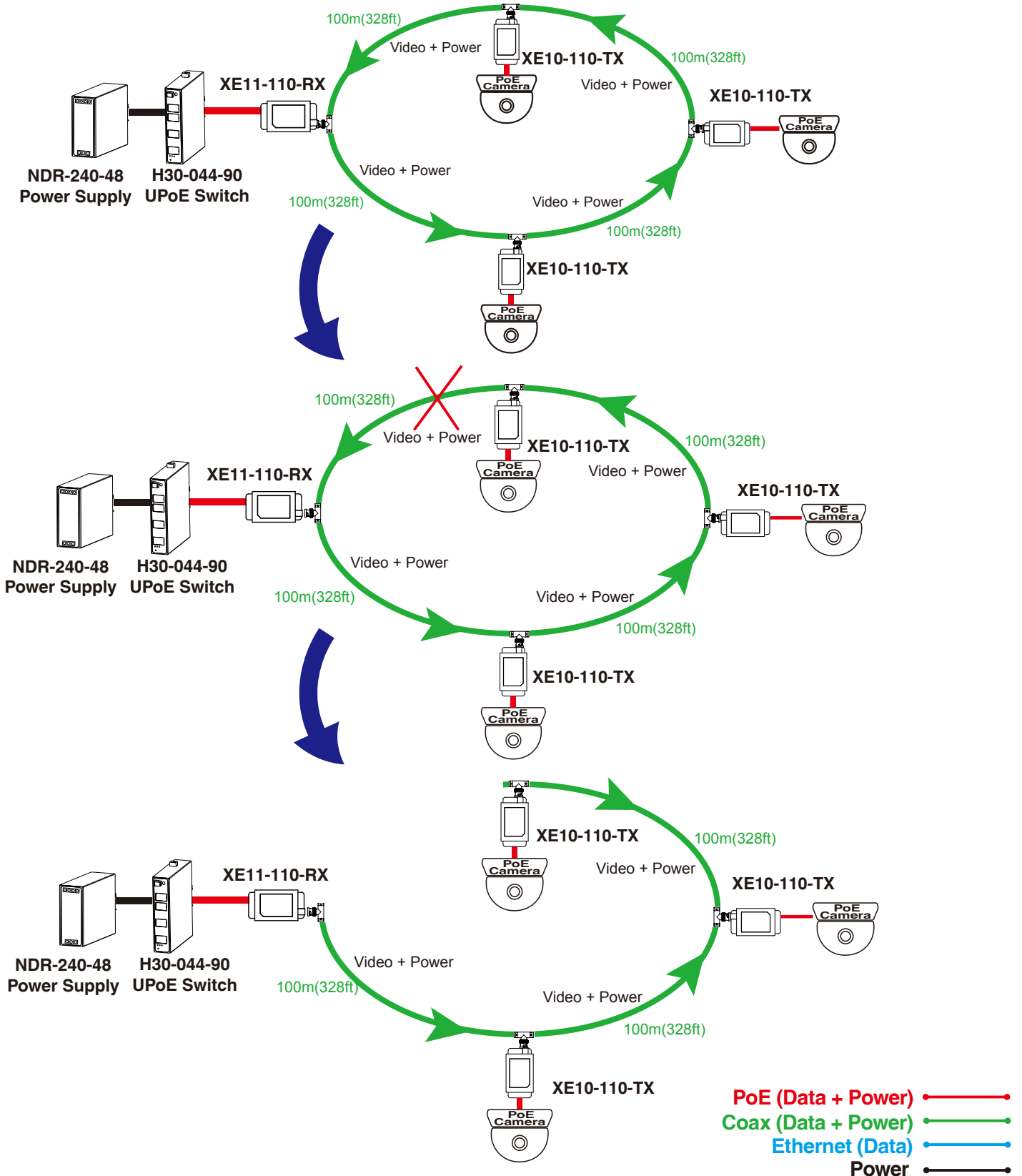


Applications

EPoC Daisy-chain



EPoC Power & Video Failover



Specifications

Interface / Distance

Coaxial BNC	75 ohm x1
10/100 Mbps Ethernet	PoE PSE RJ45 x1
Transmission mode	Transmitter TX mode
MAX.(Power+Data) Distance	100Mbps, 9.7W@1,200m(3,937ft) 100Mbps@2,400m(7,874ft) Data only
Cable Type	75 ohm RG59/RG6/RG11 Coax
Bandwidth	600 Mbps

Power Specifications

Power Input	EPoC@50~57VDC, 50~57 VDC power adapter
Power Output	PoE
Unit Power Consumption	3 watts

Physical Specifications

Dimensions (LxWxH)	85.4 x 47.1 x 23 mm (3.36x1.85x0.91")
Weight	0.2 kg (0.44 lb)
Connectors	BNC x1, RJ45 x1, DC Jack x1, PoE On/Off Switch x1
Mounting Type	Wall mount

Environmental Specifications

Operating Temperature	-20°C ~ 60°C (-28°F ~ 140°F)
Storage Temperature	-20°C ~ 85°C (-28°F ~ 185°F)
Relative Humidity	5% ~ 95% non-condensing

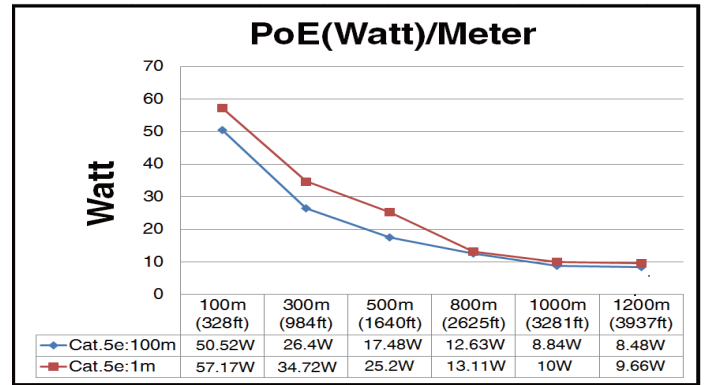
Certifications

EMC	CE, FCC, VCCI, C-Tick
-----	-----------------------

LEDs

LAN	Ethernet status
PWR	Power status
LINK	EPoC RX device connect status
POE	PoE status

Power / Distance Chart



Related Products

EPoC RX Switch



XC10-041-250

- Four BNC coax ports & one Gigabit LAN port
- 6KV Surge Protection for coax port
- 250W Power Supply, 100~240VAC input

EPoC (RX)



XE10-110-RX

- XE10-110 EPoC adapter(RX)
- 65W@56VDC power adapter



XE11-110-RX

- XE11-110 PoE EPoC adapter(RX)
- Supports 30W/60W/95W PoE Input

Accessories



BNC-Y

- Y-type BNC Adapter



BNC-T

- T-type BNC Adapter