

XE10-110-RX



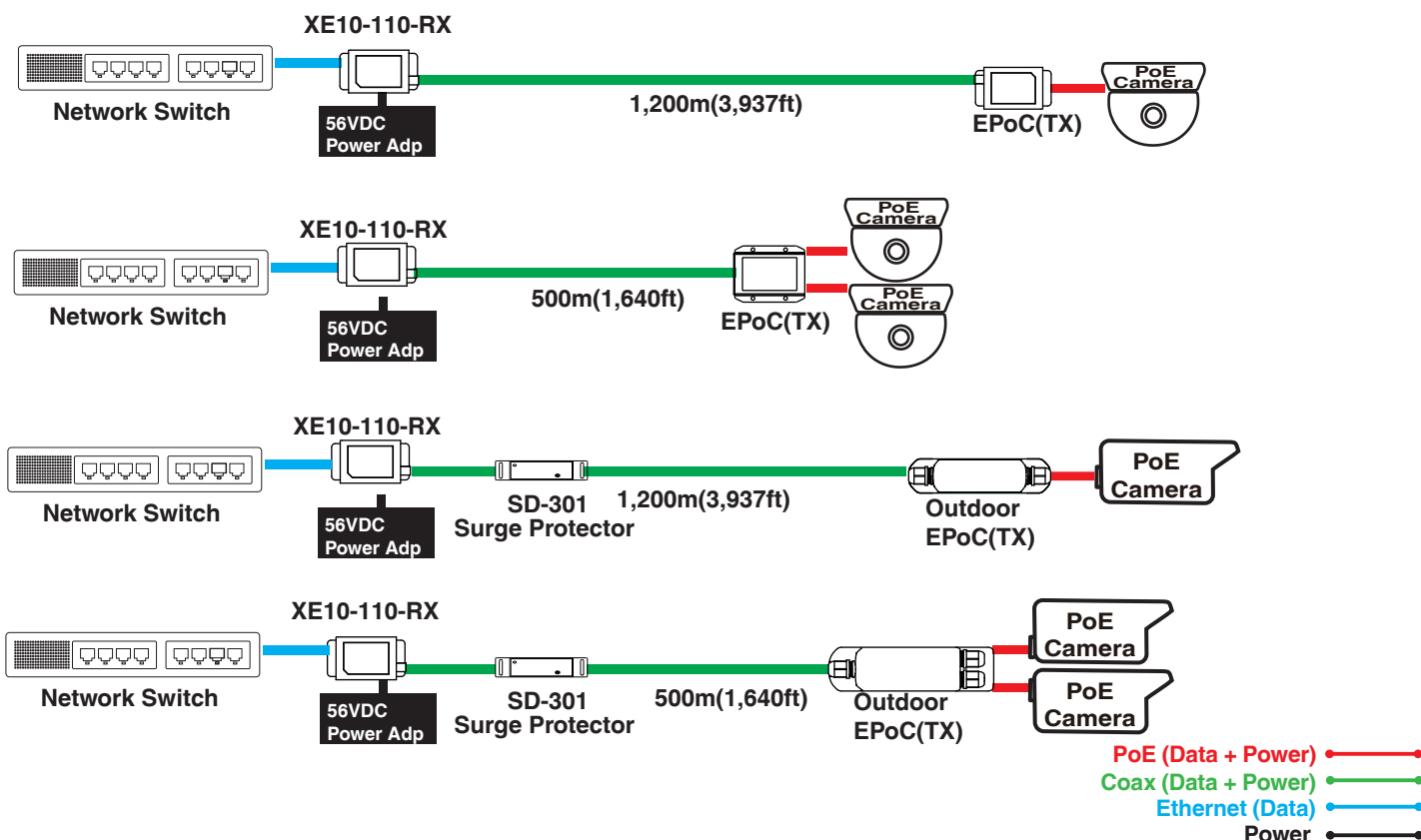
1-Port EPoC RX Adapter

XE10-110-RX is an EPoC (Ethernet & Power over Coax) receiver(RX) equipped with 1 BNC port & 1 LAN port. This cutting-edge model is a long range PoE solution providing data & power to EPoC TX adapter and PoE IP camera over single coaxial cable up to 1,200m (3,937ft). Besides long range PoE solution, XE10-110-RX is also often used to upgrade legacy of CCTV to IP surveillance without changing existing coaxial cable infrastructure.

Features

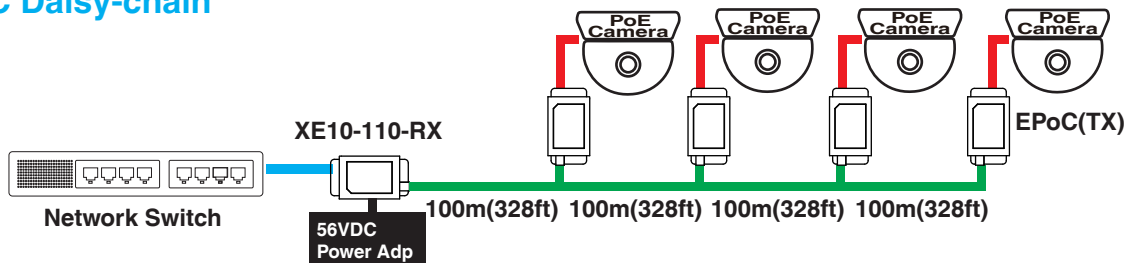
- One BNC coax port & one 10/100Mbps LAN port
- PoE pass through coax to remote PoE IP camera
- Including 65W@ 56VDC power adapter can insert PoE for non-PoE switch
- Extends PoE to Transmitter(TX) and PoE IP camera
- Optional 19" 4-bay rack mount chassis(CH-100)
- Optional EPoC surge protector(SD-301)

Applications

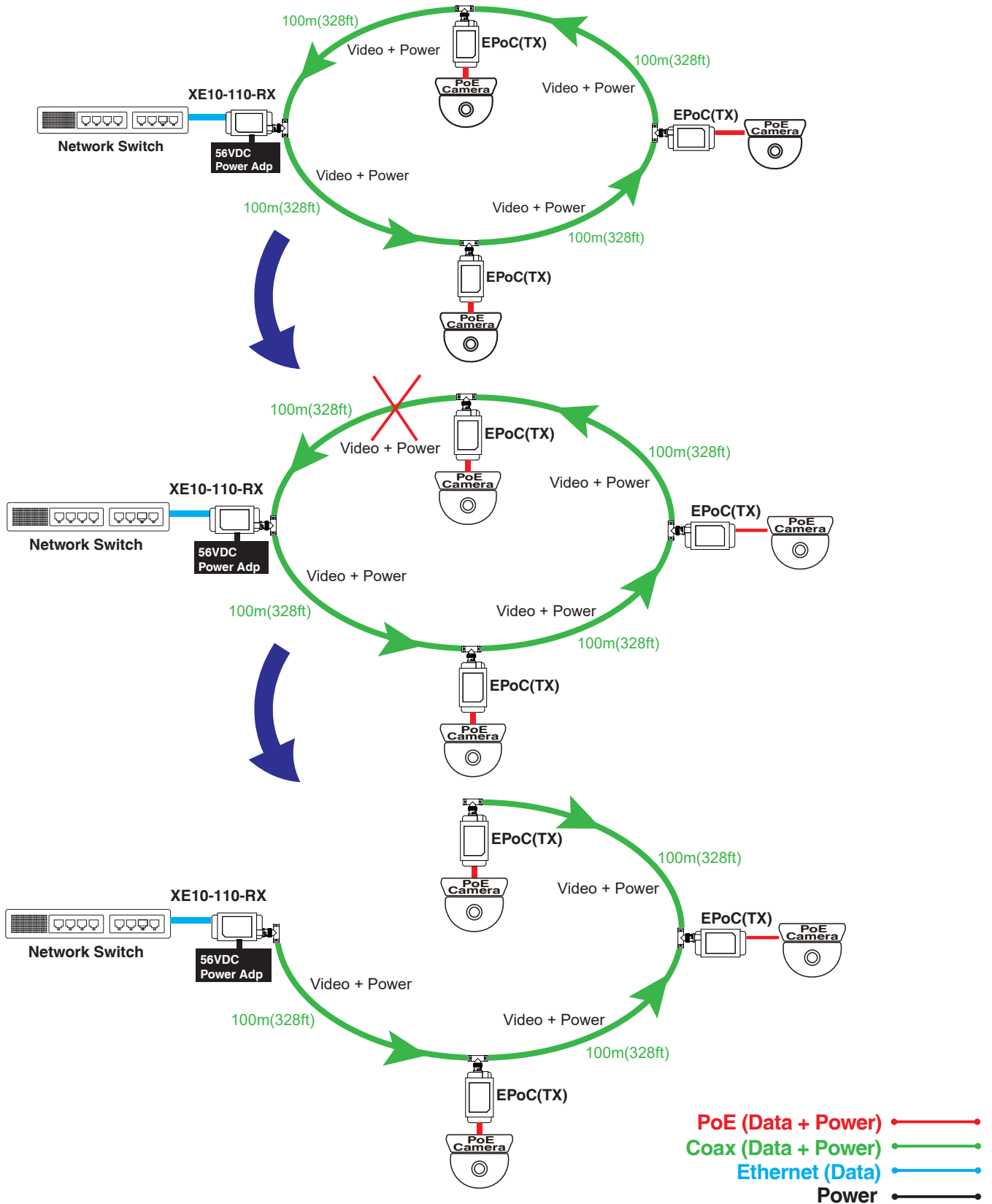


Applications

EPoC Daisy-chain



EPoC Power & Video Failover



Specifications

Interface / Distance

Coaxial BNC	75 ohm x1
10/100 Mbps Ethernet	RJ45 x1
Transmission mode	Receiver RX mode
Maximum TX quantity	7
MAX.(Power+Data) Distance	100Mbps, 9.7W@1,200m(3,937ft) 100Mbps@2,400m(7,874ft) Data only
Cable Type	75 ohm RG59/RG6/RG11 Coax
Bandwidth	600 Mbps

Power Specifications

Power supply	Input: 100-240VAC Output: 65W@56VDC Power Adapter
Unit Power Consumption	3 watts
EPoC Surge Protection	Optional extra surge protector : SD-301

Physical Specifications

Dimensions (LxWxH)	85.4 x 47.1 x 23 mm (3.36x1.85x0.91")
Weight	0.2 kg (0.44 lb)
Connectors	BNC x1, RJ45 x1, DC Jack x1
Mounting Type	Wall mount

Environmental Specifications

Operating Temperature	-20°C ~ 60°C (-28°F ~ 140°F)
Storage Temperature	-20°C ~ 85°C (-28°F ~ 185°F)
Relative Humidity	5% ~ 95% non-condensing

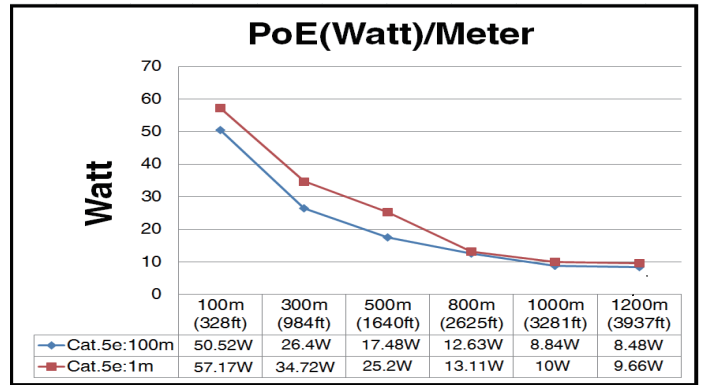
Certifications

EMC	CE, FCC, VCCI, C-Tick
Safety	EN60950-1

LEDs

LAN	Ethernet status
PWR	Power status
LINK	EPoC TX device connect status
POE	PoE status

Power / Distance Chart



Related Products

EPoC (TX)



XE10-110-TX
• 1-to-1 EPoC adapter(TX)



XE12-120-TX
• 1-to-2 EPoC adapter(TX)



XE22-110-TX
• 1-to-1, Outdoor EPoC adapter(TX)with IP67 / IK10 / 6KV Surge protection



XE22-120-TX
• 1-to-2, Outdoor EPoC adapter(TX) with IP67 / IK10 / 6KV Surge protection

EPoC Camera Housing (TX)



A5000-E
• EPoC Camera Housing



A5100-E
• EPoC Camera Housing
• Germanium window



A5020-E
• EPoC Camera Housing with IR illuminator (MAX: 50m)

Accessories



SD-301
• 6KV EPoC Surge Protection



CH-100-V2
• 19", 1U 4-bay rack mount chassis



BNC-Y
• Y -type BNC Adapter



BNC-T
• T -type BNC Adapter