

VR-060

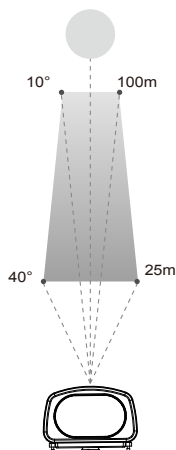
6W VAIR LED



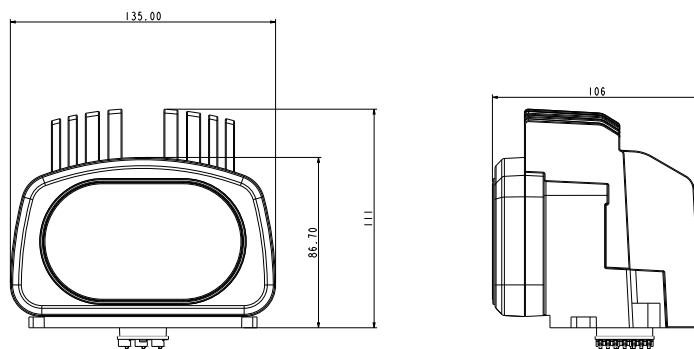
Technical Specifications

Model	VR-060
Beam Angle (Horizontal)	10° ~ 40°
Distance	25 ~ 100 m
Beam Pattern	Circular
LED Array	2 pcs High Power LED
Wavelength	850nm
Digital Input	IR ON/OFF control
Digital Output	Light Sensor
Light Sensor Sensitivity	100 Lux (accessed via RS-485 control)
Power Input	5V & 12VDC
Power Consumption	6W
Connector	ITB Touch Board
Dimensions	135 x 87.01 x 88.05 mm
Weight	1.2 kg
Operating Temperature	-40 °C ~ 50 °C
Storage Temperature	-40 °C ~ 70 °C
Supported Models	Camera Housing:P20/P50/P60 Series

Illumination Map



Dimensions



VR-120

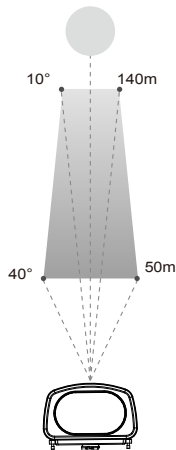
12W VAIR LED



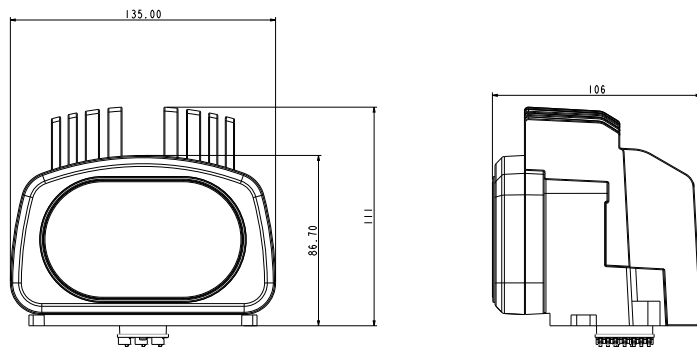
Technical Specifications

Model	VR-120
Beam Angle (Horizontal)	10° ~ 40°
Distance	50 ~ 140 m
Beam Pattern	Circular
LED Array	2 pcs High Power LED
Wavelength	850nm
Digital Input	IR ON/OFF control
Digital Output	Light Sensor
Light Sensor Sensitivity	100 Lux (accessed via RS-485 control)
Power Input	5V & 12VDC
Power Consumption	12W
Connector	ITB Touch Board
Dimensions	135 x 87.01 x 88.05 mm
Weight	1.2 kg
Operating Temperature	-40 °C ~ 50 °C
Storage Temperature	-40 °C ~ 70 °C
Supported Models	Camera Housing:P20/P60 Series

Illumination Map



Dimensions



VR-241

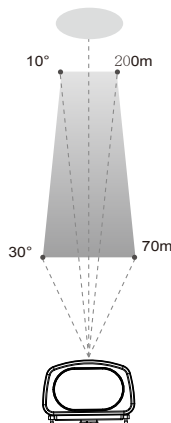
24W VAIR LED



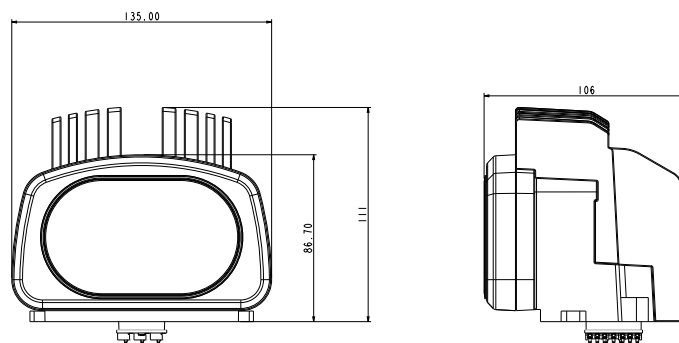
Technical Specifications

Model	VR-241
Beam Angle (Horizontal)	10° ~ 30°
Distance	70 ~ 200 m
Beam Pattern	Elliptical
LED Array	18 pcs LED
Wavelength	850nm
Digital Input	IR ON/OFF control
Digital Output	Light Sensor
Light Sensor Sensitivity	100 Lux (accessed via RS-485 control)
Power Input	5V & 24VDC
Power Consumption	24W
Connector	ITB Touch Board
Dimensions	135 x 106 x 111 mm
Weight	1.2 kg
Operating Temperature	-40 °C ~ 50 °C
Storage Temperature	-40 °C ~ 70 °C
Supported Models	Camera Housing:P20/P60 Series

Illumination Map



Dimensions



VR-481

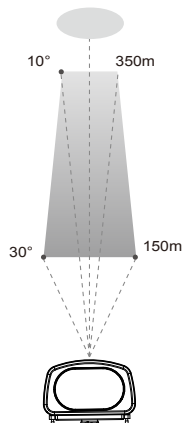
48W VAIR LED



Technical Specifications

Model	VR-481
Beam Angle (Horizontal)	10° ~ 30°
Distance	150 ~ 350 m
Beam Pattern	Elliptical
LED Array	18 pcs High Power LED
Wavelength	850nm
Digital Input	IR ON/OFF control
Digital Output	Light Sensor
Light Sensor Sensitivity	100 Lux (accessed via RS-485 control)
Power Input	5V & 24VDC
Power Consumption	48W
Connector	ITB Touch Board
Dimensions	135 x 106 x 111 mm
Weight	1.2 kg
Operating Temperature	-40 °C ~ 50 °C
Storage Temperature	-40 °C ~ 70 °C
Supported Models	Camera Housing:P20/P60 Series

Illumination Map



Dimensions

