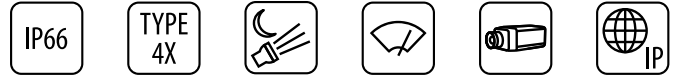


ULISSE RADICAL

TOP PERFORMANCE LONG RANGE HD PTZ CAMERA



DESCRIPTION

ULISSE RADICAL is the first Videotec ready to use network Full HD PTZ camera system that integrates exceptional factory-assembled combinations of camera and lens, Full HD 1080p, 60fps and 1/2" CMOS sensor, for day and night time broadcast quality video of extended outdoor areas.

To meet the most demanding video surveillance specifications, this PTZ camera unit is supplied with 18x or 33x lenses equipped with an advanced autofocus that allows and automatically maintains the focus on subjects at far distances with sharp details.

ULISSE RADICAL is certified ONVIF Profile S and is compatible with most VMS on the market.

The Videotec's PTZ ASSISTANT plug-in software supports any VMS with the control of all special functions such as wiper, washer pump, IR and Auto Focus.

Powerful motors guarantee exceptionally smooth tracking, even at a minimum speed of 0.02°/sec.

The performance remains optimal in complete darkness thanks to powerful LED illuminators that can reach distances of over 300m (985ft) with two UPTIRN illuminators (10°, 850nm).

ULISSE RADICAL with 33x zoom features a Thermal Compensation System and a Visible Cut Filter.

Due to its characteristics of accuracy, reliability and robustness, this PTZ camera is the ideal solution for the visual control of large outdoor areas, such as: border patrol, harbour surveillance, long distance perimeter surveillance, traffic and highway control, military installations.



ULISSE RADICAL 33X



ULISSE RADICAL 18X + 2 UPTIRN

MAIN FEATURES

PTZ unit with factory-assembled and pre-configured camera and lens up to 500mm

Minimum Illumination, Colour (ICR-OFF):

- zoom 18x: 0.08lx, 50 IRE F2.5, 1/30s
- zoom 33x: 0.1lx, 50 IRE F3.0, 1/30s

Minimum Illumination, B/W (ICR-ON):

- zoom 18x: 0.06lx, 50 IRE F2.5, 1/30s
- zoom 33x: 0.07lx, 50 IRE F3.0, 1/30s

IR corrected lens

Advanced Autofocus system

Thermal Compensation System and Visible Cut Filter

Pre-wired camera and lens through snap-on connector for easy installation and maintenance

Total control of the auxiliary functions through the Videotec PTZ ASSISTANT

Horizontal continuous rotation

Optical sensors for absolute positioning feedback

Position accuracy: 0.02°

Up to 250 Presets

Integrated wiper

Power supply: 230Vac, 24Vac or 120Vac

Options:

- Prearrangement for mounting of two UPTIRN LED illuminators

TECHNICAL DATA

GENERAL

Top mount (OTT)
Transmission through toothed belt
Slip-ring
Electronic limit switches
Zero backlash
Optical sensors for absolute positioning feedback
Integrated wiper
Pre-installed camera and lens

MECHANICAL

Constructed from aluminium and tecnopolymer
Epoxy polyester powder painting, RAL9002 colour
Horizontal rotation: 360°, continuous rotation
Zoom 18x:

- Vertical rotation: from -40° up to +90°
- Horizontal speed (variable): from 0.02°/s up to 100°/s (from 0.02°/s up to 40°/s with LED illuminators)
- Tilt speed (variable): from 0.02°/s up to 50°/s (from 0.02°/s up to 30°/s with LED illuminators)

Zoom 33x:

- Vertical rotation: from -20° up to +45°
- Horizontal speed (variable): from 0.02°/s up to 20°/s
- Tilt speed (variable): from 0.02°/s up to 20°/s

Internal usable area: see drawings
Accuracy of preset positions: 0.02°
Cable glands: 3xM16
Unit weight: 17kg (37lb) (18x), 30kg (66lb) (33x)

ELECTRICAL

Supply voltage/Current consumption:

- 230Vac, 0.4A, 50/60Hz
- 120Vac, 0.8A, 50/60Hz
- 24Vac, 4A (8A with LED illuminators), 50/60Hz

Power consumption:

- 100W
- 150-190W max with LED illuminators in 24Vac
- 28.5W (Zoom 18x), 24W (Zoom 33x), P&T static, heating switched off

Camera power supply: 12Vdc (800mA)
4 self-powered alarm inputs
2 dry contacts: 30Vdc max or 30Vac, @ 1A

NETWORK

Connector: RJ45, 10BASE-T/100BASE-T
Protocol: ONVIF, Profile S (TCP/IPv4, UDP/IPv4, HTTP, NTP, DHCP, WS-DISCOVERY, QoS, RTSP, RTCP, RTP)

VIDEO

Compression: H.264/AVC, JPEG
Multiple video stream capability: up to 3 independent streams and up to 20 simultaneous clients
Resolution: 1920x1080, 1280x720, 1024x576, 720x576, 720x480, 704x576, 640x480, 640x360, 352x288, 320x184
Range of Bitrate setting: 64 kbps to 32 Mbps
Selectable frame rate from 1 to 60 images per second (fps)

CAMERAS

Day/Night Full HD, 60fps, CMOS 1/1.9" sensor
Effective Pixels: 2.38 Megapixel
Minimum Illumination Zoom 18x, Colour (ICR-OFF):

- 0.08lx, 50 IRE F2.5, 1/30s

Minimum Illumination Zoom 18x, B/W (ICR-ON):

- 0.06lx, 50 IRE F2.5, 1/30s

Minimum Illumination Zoom 33x, Colour (ICR-OFF):

- 0.1lx, 50 IRE F3.0, 1/30s

Minimum Illumination Zoom 33x, B/W (ICR-ON):

- 0.07lx, 50 IRE F3.0, 1/30s

Zoom 18x:

- Horizontal Viewing Angle: 40.6° (wide end) to 2.4° (tele end)
- Vertical Viewing Angle: 30.8° (wide end) to 1.8° (tele end)

Zoom 33x:

- Horizontal Viewing Angle: 23.42° (wide end) to 0.74° (tele end)
- Vertical Viewing Angle: 17.74° (wide end) to 0.55° (tele end)

S/N Ratio: more than 50 dB
WDR (wide dynamic range): 90dB
Shutter speed: 1/1 to 1/10,000 s
Exposure Control: Exposure compensation, AGC, Shutter speed, Iris
White balance: ATW, ATW PRO, Fluorescent lamp, Mercury lamp, Sodium vapor lamp, Metal halide lamp, White LED, Open Push WB, Manual
Wide-D: View-DR
Tone correction: Visibility enhancer
Noise reduction: XDNR

LENSES

Zoom 18x, 8.6-154mm (0.34-6.06in), F2.5

Zoom 33x, 15.2-500mm (0.6-19.7in), F3.0 (Thermal compensation system and Visible Cut Filter)

ENVIRONMENT

For installation indoors and outdoors

Operating temperature

- Continuous working: from -40°C (-40°F) up to +60°C (140°F)
- Non continuous working (absolute maximum temperature for short periods): +65°C (149°F)
- Cold start (18x lenses): -40°C (-40°F)
- Cold start (33x lenses): -30°C (-22°F)

Surge immunity: up to 2kV line to line, up to 4kV line to earth (Class 4)

Relative humidity: from 10% up to 95% (no condensation)

CERTIFICATIONS

Electrical safety (CE): EN60950-1, IEC60950-1

Electromagnetic compatibility (CE): EN50130-4, EN61000-6-4, EN55022 (Class A), FCC Part 15 (Class A)

Outdoor installation (CE): EN60950-22, IEC60950-22

Photobiological safety (CE): EN62471 (LED illuminators)

IP protection degree: EN60529, IP66

Salty fog resistance: EN50130-5, EN60068-2-52

UL certification (except versions with 33x lenses) : cULus Listed (TYPE 4X)

EAC certification

ACCESSORIES

UPTIRN108A00	LED illuminator for ULISSE, 10°, 850nm, 24Vac - 12/24Vdc
UPTIRN308A00	LED illuminator for ULISSE, 30°, 850nm, 24Vac - 12/24Vdc
UPTIRN608A00	LED illuminator for ULISSE, 60°, 850nm, 24Vac - 12/24Vdc
UPTIRN109A00	LED illuminator for ULISSE, 10°, 940nm, 24Vac - 12/24Vdc
UPTIRN309A00	LED illuminator for ULISSE, 30°, 940nm, 24Vac - 12/24Vdc
UPTIRN10WA00	LED illuminator for ULISSE, 10°, white light, 24Vac - 12/24Vdc
UPTIRN30WA00	LED illuminator for ULISSE, 30°, white light, 24Vac - 12/24Vdc
UPTIRN60WA00	LED illuminator for ULISSE, 60°, white light, 24Vac - 12/24Vdc

UPTIRPS230N	External power supply for ULISSE series, prearranged for two LED illuminators, and control to synchronize IR illuminators with camera Day/Night switching, IN 230Vac, in weatherproof box. Twilight sensor included.
UPTIRPS100N	External power supply for ULISSE series, prearranged for two LED illuminators, and control to synchronize IR illuminators with camera Day/Night switching, IN 100Vac, in weatherproof box
UPTIRPS120UL	External power supply for ULISSE series, prearranged for two LED illuminators, and control to synchronize IR illuminators with camera Day/Night switching, IN 120Vac, in weatherproof box. Twilight sensor included.
UPTJBUL	Junction weatherproof box for cables connexion (according UL norm)
WASPT0V5L5M00	Water tank 5l (1.3gal), pump with delivery up to 5m (16ft), IN 230Vac-24Vac-120Vac
WASPT0V23L5M00	Water tank 23l (6 gal), pump with delivery up to 5m (16ft), IN 230Vac-24Vac-120Vac
WASPT0V23L11M00	Water tank 23l (6 gal), pump with delivery up to 11m (36ft) with water floating, IN 230Vac-24Vac-120Vac
WASPT1V23L30M00	Water tank 23l (6 gal), pump with delivery up to 30m (98ft) with water floating, IN 230Vac
WASPT3V23L30M00	Water tank 23l (6 gal), pump with delivery up to 30m (98ft) with water floating, IN 120Vac
WASNX1V10L20M00	Tank 10l (2.6gal) with integrated manual pump controlled by solenoid valve, delivery head up to 20m (66ft) max, IN 230Vac
WASNX2V10L20M00	Tank 10l (2.6gal) with integrated manual pump controlled by solenoid valve, delivery head up to 20m (66ft) max, IN 24Vac
WASNX3V10L20M00	Tank 10l (2.6gal) with integrated manual pump controlled by solenoid valve, delivery head up to 20m (66ft) max, IN 120Vac

BRACKETS AND ADAPTORS

UPTWBA	Wall bracket with internal cable channel
UPTWBTAB	Parapet bracket with internal cable channel
WCWGC	Corner mount adaptor
PTCC1	Pole mount adaptor

PACKAGE

Model Number	Weight	Dimensions (WxHxL)	Master carton
UPK1QAWAN00A	26kg (57lbs)	59x78x42cm (23x31x17in)	-
UPK1QEWAN00A	38kg (84lb)	76x41x67cm (30x16x26.4in)	-

AVAILABLE MODELS									
Model Number	230vac	24Vac	120Vac	Camera Full HD 60fps Sensor CMOS 1/2"	18x zoom lens	33x lens (Thermal Compensation and Visible Cut Filter)	Wiper	Brackets for UPTIRN (illuminators not included)	ONVIF protocol, Profile S
UPK1QAWAN00A	✓	-	-	✓	✓	-	✓	-	✓
UPK1QEWAN00A	✓	-	-	✓	-	✓	✓	-	✓
UPK2QAJAN00A	-	✓	-	✓	✓	-	✓	✓	✓
UPK2QEJAN00A	-	✓	-	✓	-	✓	✓	✓	✓
UPK3QAWAN00A	-	-	✓	✓	✓	-	✓	-	✓
UPK3QEWAN00A	-	-	✓	✓	-	✓	✓	-	✓

ULISSE RADICAL - CONFIGURATION OPTIONS									
	Voltage	Camera	Lenses	Options		Video Output			
UPK	1 230Vac	Q Full HD 60fps Sensor CMOS 1/2"	A Zoom 18x	W With wiper	A	N ONVIF protocol, Profile S	00A		
	2 24Vac		E Zoom 33x with Thermal Compensation and Visible Cut Filter	J With wiper and brackets for UPTIRN (only 24Vac, illuminators not included)					
	3 120Vac								

Not all combinations are possible.

ULISSE RADICAL 33x



Recognition 9 km / 5.592 miles

Identification 5.9 km / 3.666 miles

ULISSE RADICAL 18x



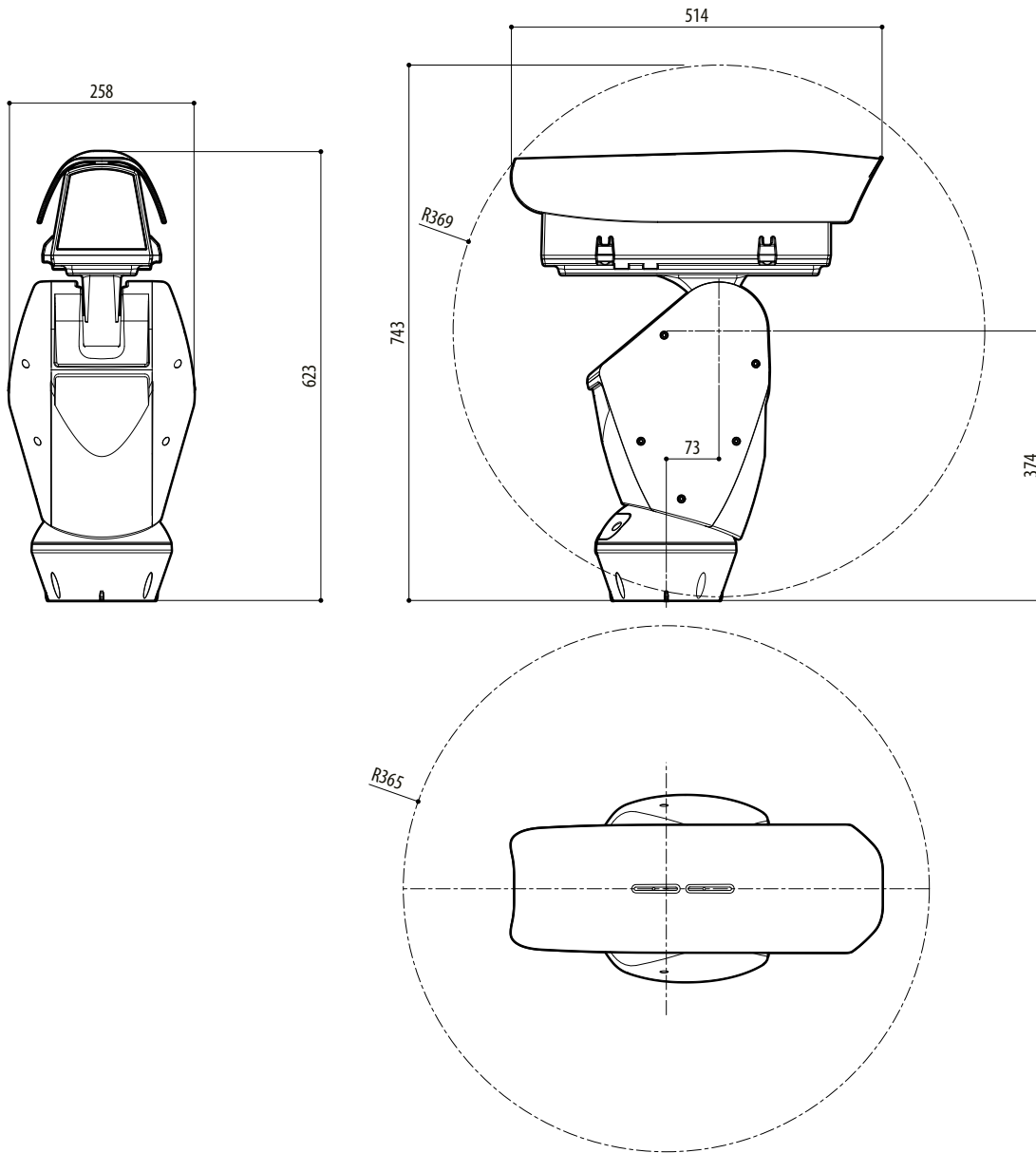
Recognition 5.5 km / 3.418 miles

Identification 3.5 km / 2.175 miles

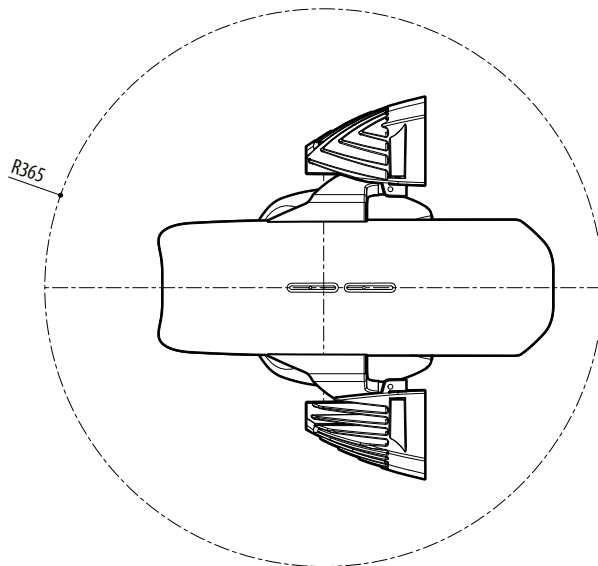
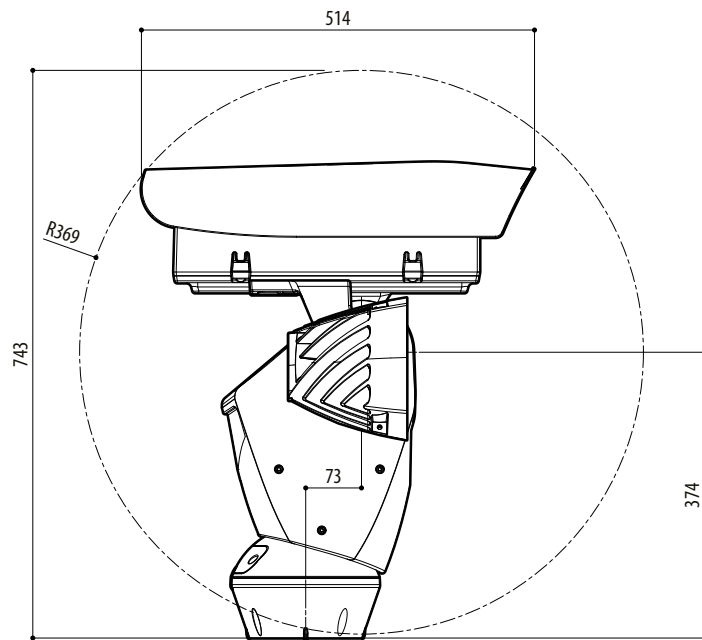
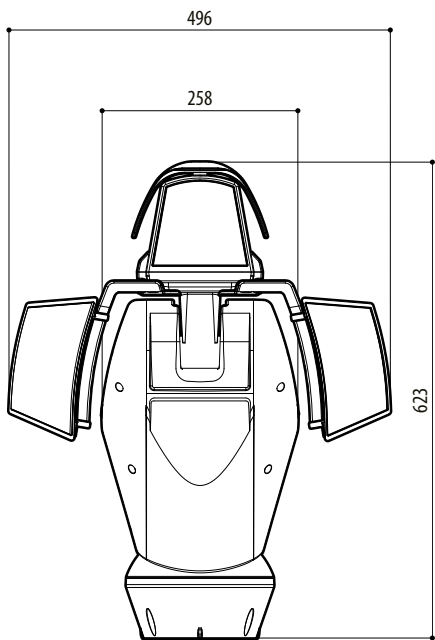
PERFORMANCES ACCORDING TO JOHNSON'S CRITERIA

TECHNICAL DRAWINGS

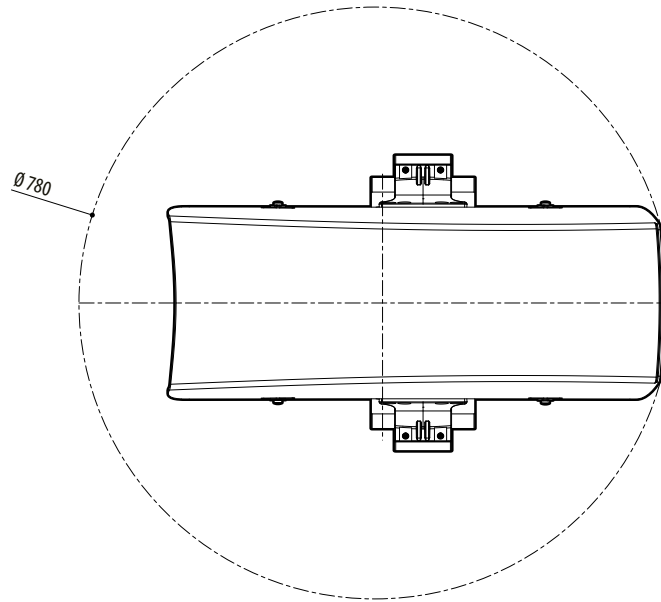
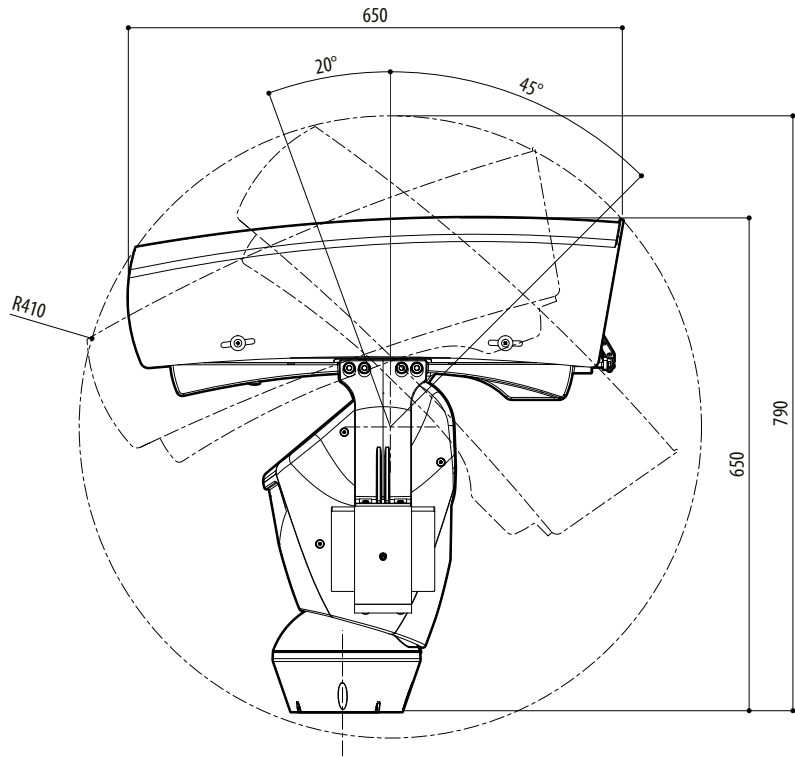
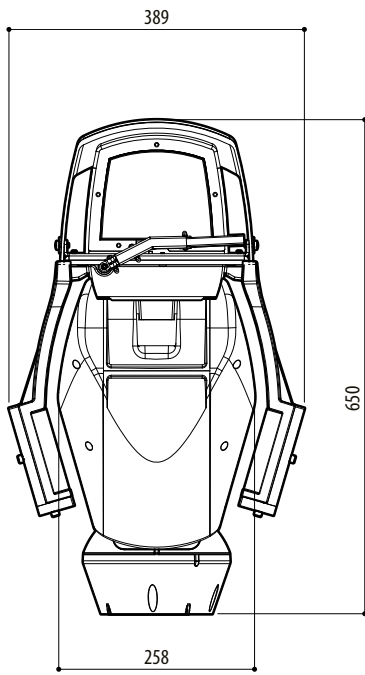
The dimensions of the drawings are in millimetres.



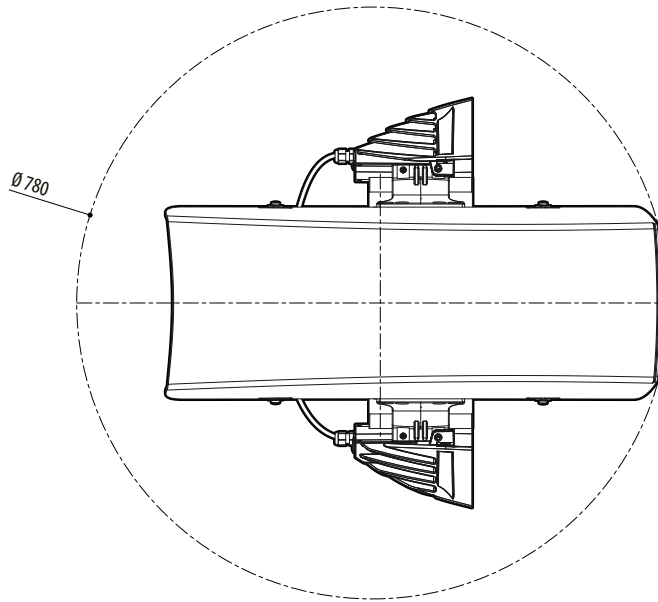
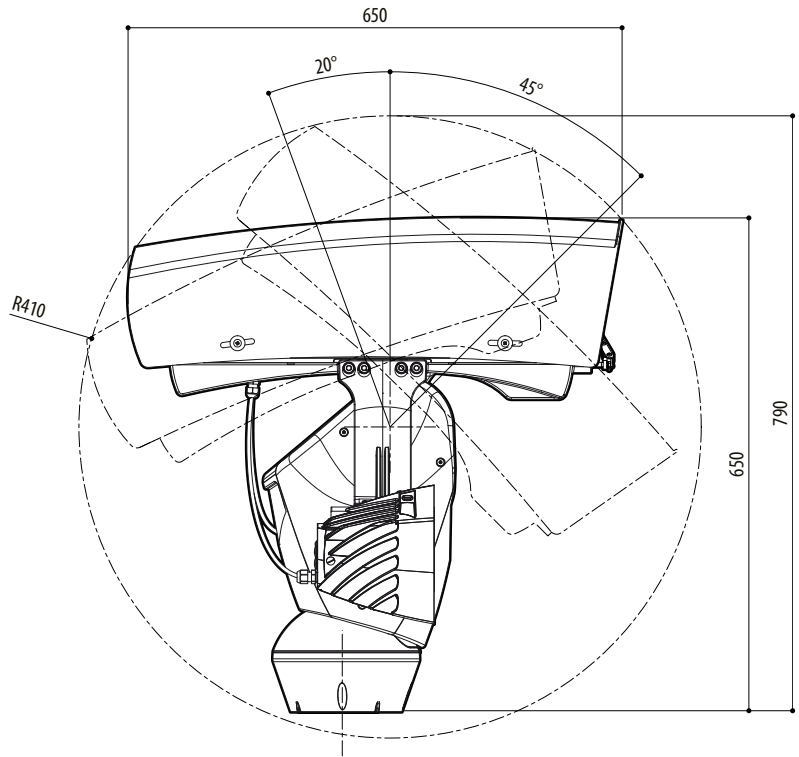
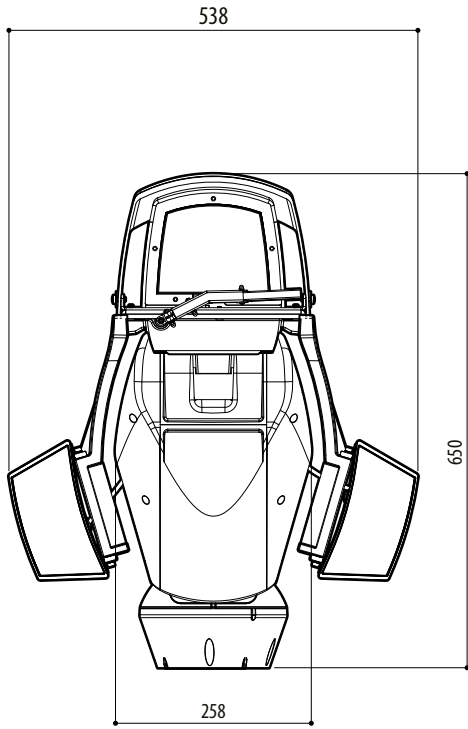
ULISSE RADICAL, ZOOM 18X



ULISSE RADICAL, ZOOM 18X, VERSION PRE-ARRANGED FOR THE INSTALLATION OF TWO LED ILLUMINATORS



ULISSE RADICAL, ZOOM 33X



ULISSE RADICAL, ZOOM 33X, VERSION PRE-ARRANGED FOR THE INSTALLATION OF TWO LED ILLUMINATORS