

ULISSE EVO with DELUX technology

PTZ CAMERA WITH DELUX TECHNOLOGY, WITH HIGH PERFORMANCE AND EXTREME RELIABILITY



deLUX
technology



ULISSE EVO + UEBP0FA

ULISSE EVO + UEI8AA+ UEBP0AA+ UEAW



DESCRIPTION

PTZ ULISSE EVO cameras combine high technology, design and competitiveness and guarantee safe video surveillance in town centres, critical infrastructures, transport and marine applications.

The Super low-light, Full HD, 1080p, 60 fps IP camera with 30x optical zoom and integrated Delux technology offers unbeatable clear and detailed images with vivid colours, day or night. The camera's motion detection function, with privacy masking feature, allows intelligent management and immediate raising of alarms if an unwanted intrusion is detected.

ULISSE EVO maintains maximum operating efficiency with temperatures from -40°C (-40°F) to +65°C (149°F), while the levels of protection IK10, IP66/IP67/IP68, NEMA Type 4X and Type 6P guarantee maximum resistance against dust and bad weather, strong impact and vandalism.

ULISSE EVO offers an unrivalled corrosion resistance, thanks to the special aluminum surface treatments and the technopolymer used for its construction.

ULISSE EVO is also equipped with a wiper to ensure a clear view in any environmental conditions. An LED illuminator (850nm, 940nm or white light) is available to give visibility even in total darkness. This comes as a separate accessory that can be integrated directly into the unit. The camera will automatically recognise the type of illuminator installed and calibrate the light beam accordingly.

The modern, linear design of ULISSE EVO combines maximum strength and operational reliability with greatly reduced weight. This means easy and quick assembly and therefore lower installation costs and zero maintenance.

ULISSE EVO can be installed in different ways, even in the inverted position typical of the speed domes, using the large variety of brackets and adaptors available to satisfy every installation need. The brackets are also available with quick connectors for Ethernet/PoE, for power and I/O, which allow fast and easy installation and maintenance.

ULISSE EVO is available in two standard colours gray-white (RAL9002) or black (RAL9005) to suit specific application requirements.

CERTIFICATIONS



MAIN FEATURES

- Super low-light Day/Night camera, FULL HD 1080p, 30x, with DELUX technology
- Privacy zone masking: 8 settable zones
- Power supply: 24Vac, 24Vdc, PoE 90W
- Video compression H.264/AVC, MJPEG, JPEG and MPEG4
- Up to 3 simultaneous video streams in FULL HD
- Complies with ONVIF, Profile Q, Profile S and Profile T
- Digitally signed firmware
- Complies with ONVIF Security Service specifications
- De-fog function
- Variable speed: from 0.1°/s up to 250°/s horizontal and vertical movement
- Horizontal continuous rotation, vertical from -90° up to +90°
- Position accuracy: 0.05°
- Up to 250 Presets
- Speed proportional to Zoom
- Can be also installed in upside-down position (in speed-dome mode)
- Optional washer system with pump for front window cleaning
- Optional illuminator chosen from 850nm, 940nm and white light
- Compliance to railway applications standard EN50121-4
- Marine Certification: Lloyd's Register Marine Type Approval

ULISSE EVO with DELUX technology

PTZ CAMERA WITH DELUX TECHNOLOGY, WITH HIGH PERFORMANCE AND EXTREME RELIABILITY



IP66
IP67
IP68

TYPE 4X
TYPE 6P

IK10



CERTIFICATIONS



TECHNICAL DATA

GENERAL

Easy installation thanks to the self-centring connector
Zero backlash
Quick configuration and setup
Dynamic positioning control system
Functions: Preset, Preset Tour (Patrol), Autoflip, Autopan via Preset Tour
Maximum number of presets: 250

MECHANICAL

Constructed from aluminium and tecnopolymer
Epoxy-polyester powder painted, standard colours grey-white (RAL9002) or black (RAL9005)
Horizontal rotation: 360°, continuous rotation
Vertical rotation: from -90° up to +90° (with ceiling installation, from -40° up to +90°)
Horizontal speed (variable): from 0.1°/s up to 250°/s
Tilt speed (variable): from 0.1°/s up to 250°/s
Accuracy of preset positions: 0.05°
Cable glands: 2xM16 + 1xM20 + special gasket for RJ45 cables
Unit weight: 7.1kg (15.6lb) (7.4kg (16.3lb) with LED illuminator)
Glass window

- Thick: 6mm (0.24in)

ELECTRICAL

Supply voltage/Current consumption:

- 24Vac ±20%, 5A, 50/60Hz
- 24Vdc ±10%, 5A
- PoE 90W (only with OHEP90INJ or OHEP90INJO accessories)

ECO-MODE function for energy saving: 21W, P&T static
Power consumption:

- 27W, P&T static, heating switched off
- 27W, P&T in motion, heating switched off
- 57W, peak at start-up, heating on and de-icing function

Power consumption with illuminator on:

- 40W, P&T static, heating switched off
- 40W, P&T in motion, heating switched off
- 70W, peak at start-up, heating on and de-icing function

Cables input section: from 0.75mm² (18AWG) up to 2.5mm² (13AWG)
Cables signal section: from 0.14mm² (26AWG) up to 1mm² (17AWG)
Alarm inputs: 2 (auto-powered from 12Vdc up to 18Vdc)
Relay outputs: 2 (1A, 30Vac/30Vdc max)

NETWORK

Ethernet connection: 100 Base-TX
Connector: RJ45

CYBERSECURITY

Digitally signed firmware
Password restricted access (HTTP digest)
Support of various user access levels
Control of accesses IEEE 802.1X
HTTPS cryptography using TLS1.0, TLS1.1, TLS1.2 and TLS1.3
Centralised certificate management
Complies with ONVIF Security Service specifications

VIDEO

Video encoder

- Communication protocol: ONVIF, Profile Q, Profile S and Profile T
- Device configuration: TCP/IPv4-IPv6, UDP/IPv4-IPv6, HTTP, HTTPS, NTP, DHCP, WS-DISCOVERY, DSCP, IGMP (Multicast), SOAP, DNS
- Streaming: RTP, RTCP, RTP/IPv4-IPv6, HTTP, Multicast
- Video compression: H.264/AVC, MJPEG, JPEG, MPEG4
- 3 independent video streams Full HD
- Image resolution: from 320x180pixel up to 1920x1080pixel in 6 steps
- Selectable frame rate from 1 to 60 images per second (fps)
- Web Server
- Directional OSD (maximum 4 settable areas)
- Motion Detection
- QoS: Differentiated DSCPs for streaming and device management
- SNMP and NTCIP protocols

ILLUMINATORS

LED illuminator

Wavelength: 850nm, 940nm (UElxxx only), white light

UElxxx

- Wide beam: 40° (horizontal), 16° (vertical)
- Spot beam: 14° (horizontal), 14° (vertical)

UElxxxP

- Wide beam: 13° (horizontal), 13° (vertical)
- Spot beam: 13° (horizontal), 13° (vertical)

Wide beam activation: based on the scene brightness, from alarm input or manually

Spot beam activation (can be activated only when the wide beam is active): can be activated on preset, based on the zoom factor or with the wide beam

Automatic and remote switching on

No calibration required for light beam alignment with the camera

The illuminator does not slow down the P&T's rotation speed

Automatic recognition of the type of illuminator installed

CAMERAS

Day/Night Full HD 30x DeLux

Resolution: Full HD 1080p (1920x1080pixel)

Image Sensor: 1/2.8" Exmor™ R CMOS sensor

Effective Pixels: approx. 2.38 Megapixels

Minimum Illumination:

- Colour: 0.006lx (F1.6, 30 IRE)
- B/W: 0.0006lx (F1.6, 30 IRE)

Focal length: from 4.5mm (wide) up to 135mm (tele)

Zoom: 30x (480x with digital zoom)

Iris: from F1.6 up to F9.6 (Auto, Manual)

Horizontal Viewing Angle: from 61.6° (wide end) up to 2.50° (tele end)

Vertical Viewing Angle: from 37.07° (wide end) up to 1.44° (tele end)

Shutter speed: from 1/1s up to 1/10000s (Auto, Manual)

White balance: Auto, Manual

Gain: from 0dB up to 100dB (Auto, Manual)

Wide Dynamic Range: 120dB

Focus System: Auto, Manual, Trigger

Picture Effects: E-flip, Color enhancement

Noise removal: 2D (3 levels), 3D (3 levels)

Exposure Control: Auto, Manual, Priority (Iris Priority, Shutter Priority), Brightness, Custom

De-fog: On/Off

Privacy zones masking (maximum 8 settable masks)

ENVIRONMENT

For indoors and outdoors installation

Operating temperature

- Continuous functioning: from -40°C (-40°F) up to +65°C (149°F) (+50°C (122°F) for versions painted black)
- Temperature test complies with NEMA-TS 2-2003 (R2008) par. 2.1.5.1, test profile fig. 2-1 (from -34°C (-29.2°F) to +74°C (165.2°F))
- De-icing function intervention: from -40°C (-40°F) up to -10°C (14°F)

Wind resistance

- PTZ static: 230km/h (143mph) max.
- PTZ in motion at the maximum speed with LED illuminator: 230km/h (143mph) max.

Relative humidity: from 5% up to 95%

CERTIFICATIONS

Electrical safety (CE): EN60950-1, IEC60950-1, EN62368-1, IEC62368-1

Electromagnetic compatibility (CE): EN61000-6-4, EN50130-4, EN55032 (Class A)

Outdoor installation (CE): EN60950-22, IEC60950-22

Photobiological safety (CE): EN62471, IEC62471

IP protection degree (EN60529): IP66, IP67, IP68

Salty fog resistance: EN50130-5, EN60068-2-52

IK protection degree: IK10

UL certification (UL60950-1, CAN/CSA C22.2 No. 60950-1-07, UL62368-1 CAN/CSA C22.2 No. 62368-1-14): cULus Listed

Electromagnetic compatibility (North America): FCC part 15 (Class A), ICES-003 (Class A)

Level of protection Type (UL50E): 4X, 6P

EAC certification

Restriction of Hazardous Substances (RoHS), Directive 2011/65/EU

Waste Electrical and Electronic Equipment (WEEE), Directive 2012/19/EU

CERTIFICATIONS - RAILWAY APPLICATIONS

Compliance to railway application standard: EN50121-4 (the product requires the filter accessory SURGEPR)

CERTIFICATIONS - MARINE APPLICATIONS

Lloyd's Register Marine Type Approval certification (the product requires the filter accessory FM1010):

- Test Specification Number 1 (ENV1, ENV2, ENV3, ENV5)

Electromagnetic compatibility: EN60945

Salty fog resistance: EN60068-2-52

Tested at 70°C (158°F) for 16 hours in compliance with EN60068-2-2

ACCESSORIES

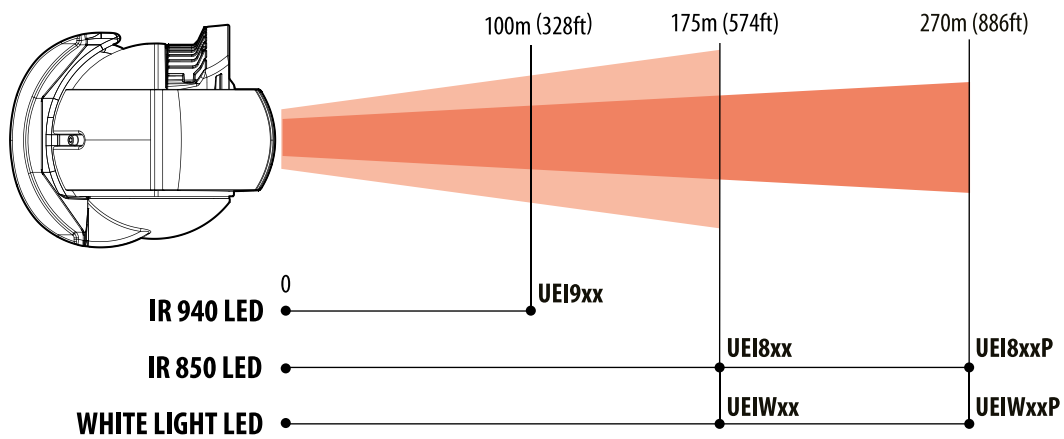
UEI8AA	IR illuminator 850nm with uniform lighting for short and long distances up to 175m (574ft) for ULISSE EVO grey-white colour (RAL9002)
UEI8AAP	IR illuminator 850nm for long distance lighting up to 270m (885ft) for ULISSE EVO grey-white colour (RAL9002)
UEI9AA	IR illuminator 940nm with uniform lighting for short and long distances s up to 100m (328ft) for ULISSE EVO grey-white colour (RAL9002)
UEIWAA	White light illuminator with uniform lighting for short and long distances up to 175m (574ft) for ULISSE EVO grey-white colour (RAL9002)
UEIWAAP	White light illuminator for long distance lighting up to 270m (885ft) for ULISSE EVO grey-white colour (RAL9002)
UEI8FA	IR illuminator 850nm with uniform lighting for short and long distances up to 175m (574ft) for ULISSE EVO black colour (RAL9005)
UEI8FAP	IR illuminator 850nm for long distance lighting up to 270m (885ft) for ULISSE EVO black colour (RAL9005)
UEI9FA	IR illuminator 940nm with uniform lighting for short and long distances up to 100m (328ft) for ULISSE EVO black colour (RAL9005)
UEIWFA	White light illuminator with uniform lighting for short and long distances up to 175m (574ft) for ULISSE EVO black colour (RAL9005)
UEIWFAP	White light illuminator for long distance lighting up to 270m (885ft) for ULISSE EVO black colour (RAL9005)
OHEP90INJ	Power Injector PoE (90W), 1 channel, for indoor installations
OHEP90INJO	Power Injector PoE (90W), 1 channel, for outdoor installations
SURGEPR	Lightning surge protection device
UPTIRPS100N	External power supply for ULISSE series, IN 100Vac, in weatherproof box
UPTIRPS120UL	External power supply for ULISSE series, IN 120Vac, in weatherproof box
UPTIRPS230N	External power supply for ULISSE series, IN 230Vac, in weatherproof box
FM1010	EMC filter for Marine certification
WASPT0V5L5M00	Water tank 5l (1.3gal), pump with delivery up to 5m (16ft), IN 230Vac-24Vac-120Vac
WASPT0V23L5M00	Water tank 23l (6gal), pump with delivery up to 5m (16ft), IN 230Vac-24Vac-120Vac
WASPT0V23L11M00	Water tank 23l (6gal), pump with delivery up to 11m (36ft) with water floating, IN 230Vac-24Vac-120Vac
WASPT1V23L30M00	Water tank 23l (6gal), pump with delivery up to 30m (98ft) with water floating, IN 230Vac
WASPT3V23L30M00	Water tank 23l (6gal), pump with delivery up to 30m (98ft) with water floating, IN 120Vac
WASN1V10L20M00	Tank 10l (2.6gal) with integrated manual pump controlled by solenoid valve, delivery head up to 20m (66ft) max, IN 230Vac
WASN2V10L20M00	Tank 10l (2.6gal) with integrated manual pump controlled by solenoid valve, delivery head up to 20m (66ft) max, IN 24Vac
WASN3V10L20M00	Tank 10l (2.6gal) with integrated manual pump controlled by solenoid valve, delivery head up to 20m (66ft) max, IN 120Vac

BRACKETS AND ADAPTORS

UEBP0AA	Parapet bracket with internal cable channel for ULISSE EVO, grey-white (RAL9002)
UEBP4AA	Parapet bracket with quick connectors RJ45 (Ethernet and PoE) + 4 poles with screw terminal (power supply and I/O) for ULISSE EVO grey-white (RAL9002)
UEBP7AA	Parapet bracket with quick connectors RJ45 (Ethernet and PoE) + 7 poles to weld (power supply and I/O) for ULISSE EVO, grey-white (RAL9002)
UEBP0FA	Parapet bracket with internal cable channel for ULISSE EVO, black colour (RAL9005)
UEBP4FA	Parapet bracket with quick connectors RJ45 (Ethernet and PoE) + 4 poles with screw terminal (power supply and I/O) for ULISSE EVO, black colour (RAL9005)
UEBP7FA	Parapet bracket with quick connectors RJ45 (Ethernet and PoE) + 7 poles to weld (power supply and I/O) for ULISSE EVO, black colour (RAL9005)
UEBWAA	Wall bracket for ULISSE EVO, grey-white (RAL9002)
UEBWFA	Wall bracket for ULISSE EVO, black colour (RAL9005)
UEAP	Pole adaptor in stainless steel AISI 316L
UEAC	Corner adaptor in stainless steel AISI 316L
UEAW	Counter-plate in stainless steel AISI 316L

PACKAGE

Model Number	Weight	Dimensions (WxHxL)	Master carton
UE21A000A	9.2kg (20.3lb)	27x30x50cm (10.6x11.8x19.6in)	-

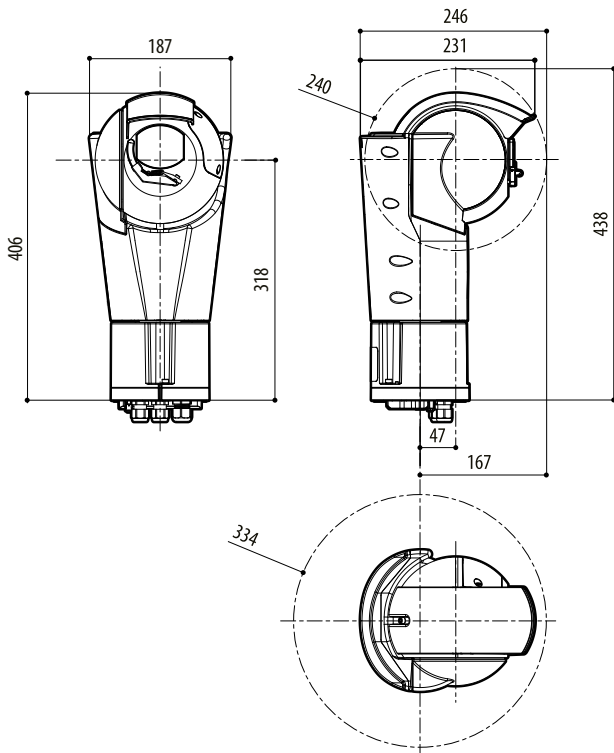


The distances and the performance depend on the environmental conditions.

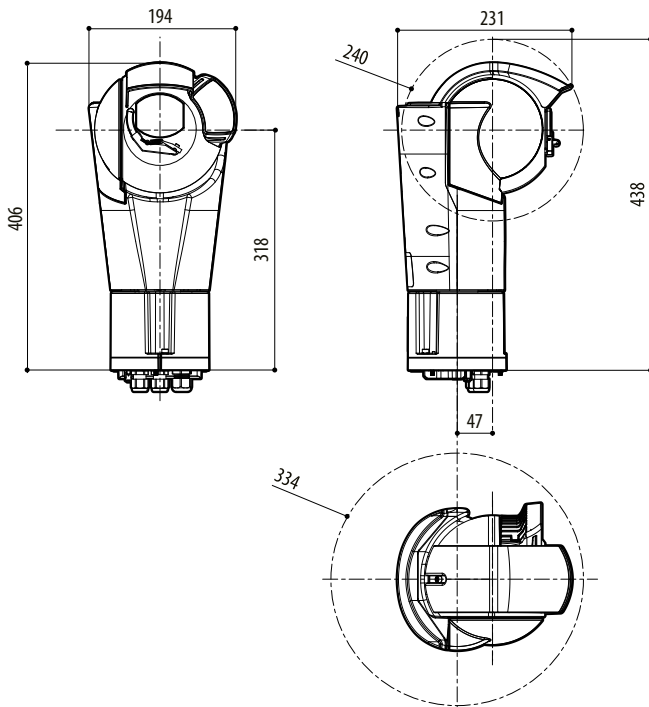
ULISSE EVO WITH DELUX TECHNOLOGY - CONFIGURATION OPTIONS						
	Voltage	Camera	Colour			
UE	2 24Vac, 24Vdc, PoE 90W	1 Super low-light Day/ Night camera, FULL HD 1080p, 30x, with DELUX technology	A Grey-white (RAL9002)	000 With wiper	A	
			F Black (RAL9005)			

TECHNICAL DRAWINGS

The indicated measurements are expressed in millimetres.



ULISSE EVO



ULISSE EVO WITH LED ILLUMINATOR