

ULISSE COMPACT

OUTDOOR PTZ CAMERA FOR HIGHEST PRECISION DAY/NIGHT MONITORING



ULISSE COMPACT + LED ILLUMINATOR



ULISSE COMPACT + UCCMA



DESCRIPTION

ULISSE COMPACT is a robust and efficient PTZ camera unit designed to ensure dynamic, non-stop surveillance of large outdoor areas and withstand harsh weather conditions, reducing maintenance to zero.

Optimal operation is ensured in very hot environments up to 60°C or in very cold environments up to -40°, thanks to optional enhanced heating.

The accurate top-mount configuration guarantees long-range vision and continuous horizontal axis rotation, combining high speed with absolute tracking accuracy, both in manual mode and in patrol mode.

The integrated camera ensures superior image quality, even in poorly lit environments.

To ensure detailed images even during the night hours, versions are available with LED illuminators, with infrared light or white light.

The ULISSE COMPACT PTZ camera can be equipped with a wiper for removing rain and dust from the front glass; there is a wide selection of jerry cans with washer pump, different capacities and delivery heads.

The IP-based PTZ camera versions can be integrated into a network system, with network control of all PTZ functions.

The Videotec's PTZ ASSISTANT plug-in software supports any VMS with the control of all special functions such as wiper, washer pump and IR.

H.264/AVC compression allows high definition images to be transmitted via Ethernet with optimisation of bandwidth and video storage space.

The compliance with ONVIF Profile S provides an open architecture for maximum integration with IP systems of industry major brands.

MAIN FEATURES

Day/night camera 36x

- True Progressive Scan (36x)
- High resolution: up to 550 TV Lines
- Advanced image stabilizer (Stable Zoom Mode)
- Day/Night (Auto ICR: automatic removal of IR filter)
- Dynamic video masking of different areas

Up to 2 simultaneous video streams (IP-based version)

Variable speed: 0.1°/s up to 200°/s horizontal and vertical movement

Horizontal continuous rotation, vertical from -90° up to +90°

Position accuracy: 0.05°

Up to 250 Presets

Total control of the auxiliary functions through the Videotec PTZ ASSISTANT (IP-based version)

Operating temperature: from -40°C (-40°F) up to +60°C (140°F)

Power supply: 230Vac, 24Vac or 120Vac

TECHNICAL DATA

GENERAL

Easy installation thanks to the self-centring connector
Zero backlash
Quick configuration and setup
Dynamic positioning control system
Functions: Autopan, Preset, Patrol, Tour (maximum 3), Autoflip

MECHANICAL

Constructed from aluminium and tecnopolymer
Epoxypolyester powder painting, RAL9002 colour
Horizontal rotation: 360°, continuous rotation
Vertical rotation: from -90° up to +90°
Horizontal speed (variable): from 0.1°/s up to 200°/s
Tilt speed (variable): from 0.1°/s up to 200°/s
Accuracy of preset positions: 0.05°
Cable glands: 2xM16, 2xM12
Unit weight: 12.5kg (28lb) (13kg (28.7lb) with LED illuminator)

ELECTRICAL

Supply voltage/Current consumption

- 230Vac: 0.4A, 50/60Hz
- 24Vac: 4A, 50/60Hz
- 120Vac: 0.8A, 50/60Hz

Power consumption

- 40W: P&T static, heating switched off
- 60W: P&T in motion, heating switched off
- 125W: peak at start-up, heating switched on

Power consumption (illuminator on)

- 55W: P&T static, heating switched off
- 75W: P&T in motion, heating switched off
- 140W: peak at start-up, heating switched on

Cables input section: from 0.75mm² (19AWG) up to 1.5mm² (16AWG)
Cables signal section: from 0.14mm² (30AWG) up to 1.5mm² (16AWG)

NETWORK

Only for the IP versions of the product:
Ethernet connection: 10BASE-T/100BASE-T
Connector: RJ45
Cable length: 100m max

SERIAL COMMUNICATIONS

Half-duplex serial RS-485 interface, full-duplex RS-422 and daisy-chain architecture
Firmware updating from console in remote mode (PELCO D, MACRO)
Up to 1023 units, addressable by means of dip-switches
Serial communication protocol: AMERICAN DYNAMICS, ERNITEC, PANASONIC, PELCO D, MACRO

Maximum number of presets for protocol

- AMERICAN DYNAMICS: 95*
- ERNITEC: 250
- PANASONIC: 250
- PELCO D: 99*
- MACRO: 250

*250, from OSM only (On Screen Menu)

VIDEO

Video line: coaxial cable (1Vpp, 75 Ohm)

IP versions of the product:

- Video encoder
- Communication protocol: ONVIF, Profile S
 - Device configuration: TCP/IPv4-IPv6, UDP/IPv4-IPv6, HTTP, NTP, DHCP, WS-DISCOVERY, QoS, IGMP (Multicast)
 - Streaming: RTSP, RTCP, RTP/IPv4
 - Video compression: H.264/AVC, MJPEG
 - Independent video streams: 2
 - Image resolution: from Full D1 (720x576 for PAL, 720x480 for NTSC) to 352x240
 - Web Server

I/O INTERFACE

I/O alarm board*

- Alarm inputs: 6
- Relay outputs: 2 (2A, 30Vac/60Vdc max)

The I/O's can be used both in analog and IP version for the automatic performing of P&T actions, however they are not exported for other uses, and can only be activated through the OSM.

ILLUMINATORS

LED illuminator

- 10° or 30° horizontal beam for 36x camera
- Wavelength: 850nm, 940nm, white light
- Built-in sensor for self-lighting, through external photocell or from control keyboard
- The camera and the light beam are factory aligned
- The pre-installed illuminator does not slow down the P&T's rotation speed

ENVIRONMENT

For indoors and outdoors installation

Operating temperature (with heater): from -40°C (-40°F) up to +60°C (140°F)

Wind resistance

- Operational: up to 160km/h (99.4mph)
- Stationary: Up to 210km/h (130.5mph)

Surge immunity: Up to 2kV (line to line), up to 4kV (line to earth, Class 4)

Relative humidity: from 10% up to 95% (no condensation)

CERTIFICATIONS

Electrical safety (CE): EN60950-1, IEC60950-1

Electromagnetic compatibility (CE): EN61000-6-4, EN50130-4, EN55022 (Class A), FCC Part 15 (Class A)

Outdoor installation (CE): EN60950-22, IEC60950-22

Photobiological safety (CE): EN62471

IP protection degree: EN60529 (IP66)

UL certification: cULus Listed (TYPE 4X)

EAC certification

ACCESSORIES

OUCWHR Complete front flange with heated glass for ULISSE COMPACT

UPTJBUL Junction weatherproof box for cables connexion (according UL norm)

WASPT0V5L5M00 Water tank 5l (1.3gal), pump with delivery up to 5m (16ft), IN 230Vac-24Vac-120Vac

WASPT0V23L5M00 Water tank 23l (6gal), pump with delivery up to 5m (16ft), IN 230Vac-24Vac-120Vac

WASPT0V23L11M00 Water tank 23l (6gal), pump with delivery up to 11m (36ft) with water floating, IN 230Vac-24Vac-120Vac

WASPT1V23L30M00 Water tank 23l (6gal), pump with delivery up to 30m (98ft) with water floating, IN 230Vac

WASPT3V23L30M00 Water tank 23l (6gal), pump with delivery up to 30m (98ft) with water floating, IN 120Vac

WASNX1V10L20M00 Tank 10l (2.6gal) with integrated manual pump controlled by solenoid valve, delivery head up to 20m (66ft) max, IN 230Vac

WASNX2V10L20M00 Tank 10l (2.6gal) with integrated manual pump controlled by solenoid valve, delivery head up to 20m (66ft) max, IN 24Vac

WASNX3V10L20M00 Tank 10l (2.6gal) with integrated manual pump controlled by solenoid valve, delivery head up to 20m (66ft) max, IN 120Vac

BRACKETS AND ADAPTORS

UPTWBA Wall bracket with internal cable channel

UPTWBTAB Parapet bracket with internal cable channel

WCWGC Corner mount adaptor

PTCC1 Pole mount adaptor

PACKAGE

| Model Number | Weight | Dimensions (WxHxL) | Master carton |
|--------------|---------------|-------------------------|---------------|
| UC1PVSA000A | 16kg (35lb) | 66x33x57cm (26x13x22in) | - |
| UC1PVQA000A | 16.5kg (36lb) | 66x33x57cm (26x13x22in) | - |

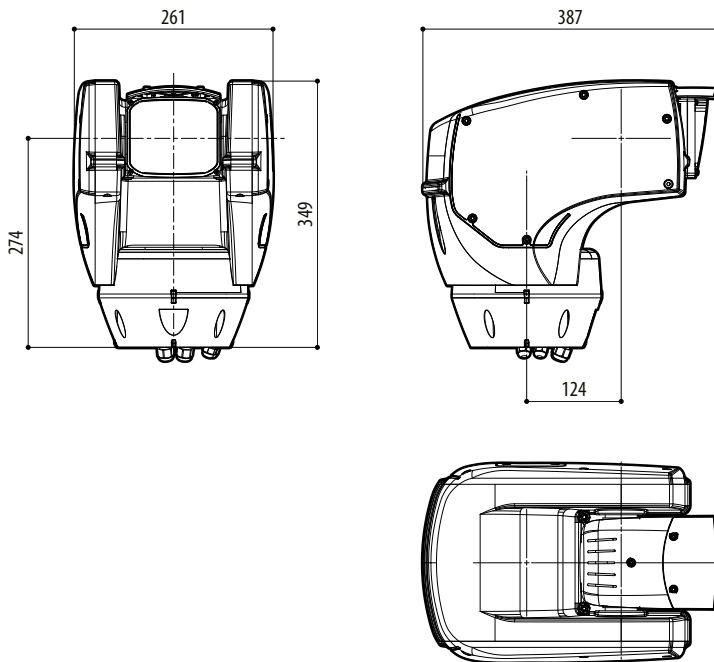
| ANALOGUE CAMERAS (DAY/NIGHT) | | |
|---|---|----------------------------------|
| | Day/Night 36x | |
| | PAL | NTSC |
| Optical zoom | 36x | |
| Wide Dynamic Range (ON, OFF, Auto) | √ | |
| True progressive SCAN | √ | |
| Digital image stabilization | √ | |
| White balance | Auto, ATW, Indoor, Outdoor (Fix/Auto), Sodium Vapor Lamp (Fix/Auto), Manual | |
| High horizontal resolution | Up to 550 TV Lines | |
| Day/Night (Auto ICR) | √ | |
| Image Device | 1/4" EXView HAD CCD | |
| Number of effective Pixels | ~ 440000 pixel | ~ 380000 pixel |
| Min. Lighting Colour (IR-Cut Filter = OFF) (Interlace Mode) | 1.4Lux / 1/50s 0.1 Lux / 1/3s | 1.4Lux / 1/60s 0.1 Lux / 1/4s |
| Min. Lighting B/W (Interlace Mode) | 0.01 Lux / 1/3s | 0.01 Lux / 1/4s |
| "Shutter Time" automatic increase to improve the night surveillance | √ | |
| S/N ratio | More than 50dB | |
| AE control | Automatic, Shutter priority, Diaphragm priority, Brightness priority and Manual | |
| Back light compensation | On/Off | |
| Spherical masking (3D) of Privacy zones with automatic upgrade | √ | |
| Privacy Zone Masking | On/Off (24 positions) | |
| Maximum number of masking blocks to be displayed | 8 | |
| Resolution of masking blocks | 160x120 HxV | |
| Masking | Up to 15 different masking types: 14 colour types or mosaic | |
| Focusing system | Auto (Sensitivity: Normal, Low), Trigger PTZ, Manual | |
| "Smart" lens control | Automatic Lens Reset | |
| High Zoom and Wide Horizontal Field of View Capability | √ | |
| Optical zoom | 36x, f=3.4 (wide) to 122.4mm (tele) / F1.6 to F4.5 | |
| Digital Zoom | 12x (432x with optical zoom) | |
| Horizontal field of view | 57.8 degrees (wide) to 1.7 degrees (tele) | |
| Minimum object distance | 10mm (0.4in) (wide) to 1500mm (59.1in) (tele) | |
| Shutter speed | 1/1 ÷ 1/10000s | |

ULISSE COMPACT - CONFIGURATION OPTIONS

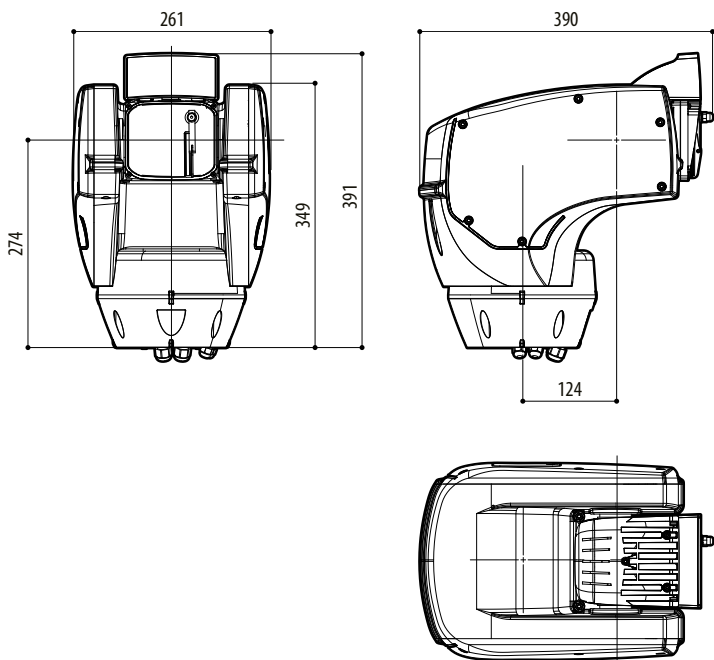
| | Voltage | Day/Night camera | | Options | | Video Output | |
|-----------|-----------------|---|-------------------------------|--|----------|---|------------|
| UC | 1 230Vac | P Day/Night camera 36x optical zoom lens, PAL | V With I/O alarm board | S Without accessories | A | 0 Analog control | 00A |
| | 2 24Vac | N Day/Night camera 36x optical zoom lens, NTSC | | W With wiper | | Z IP H.264/AVC control, Protocol ONVIF Profile S | |
| | 3 120Vac | | | Q With IR LED illuminator 30°, 850nm | | | |
| | | | | R With IR LED illuminator 10°, 850nm | | | |
| | | | | U With wiper and IR LED illuminator 30°, 850nm | | | |
| | | | | T With wiper and IR LED illuminator 10°, 850nm | | | |
| | | | | M With IR LED illuminator 10°, 940nm | | | |
| | | | | N With wiper and IR LED illuminator 10°, 940nm | | | |
| | | | | Z With wiper and LED illuminator 30°, white light | | | |

TECHNICAL DRAWINGS

The indicated measurements are expressed in millimetres.



ULISSE COMPACT



ULISSE COMPACT WITH LED ILLUMINATOR