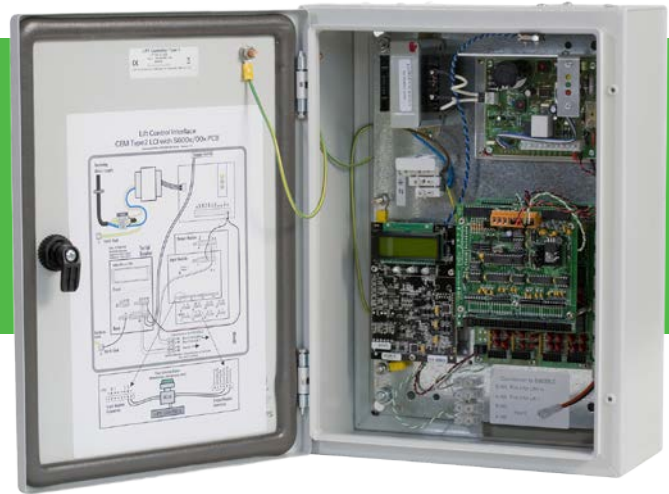


Type 2B Lift Control Encrypted Interface

Elevator control up to 16 floors
with CEM sPass reader



Features that make a difference:

- CEM S9032 Lift Controller, an intelligent embedded network device for control of lifts within the CEM AC2000 security management system.
- One S9032 lift controller can support up to two lifts.
- Inputs in the Lift Control Interface unit can record which elevator floor selection panel button was selected.
- Reportable card holder traceability throughout building floors.
- Encrypted RS485 communication from the DCM 350 controller to CEM sPass DESFire readers.
- CEM Smartcard with 3DES or AES encryption.
- Type 2B Lift control interface comes in steel enclosure with inbuilt tamper protection.

The CEM lift control solution allows seamless control and monitoring of access between elevator floors.

Depending on how many floors need controlled, each elevator must have a Lift Control Interface (LCI) unit, which is used in conjunction with the CEM S9032 Lift Controller.

The LCI unit directly connects to a lift floor selection panel. The LCI unit outputs activate buttons on the elevator floor selection panel according to the access permissions of the card holder. The LCI inputs then record which button was pressed.

The Type 2B LCI is fitted with one output card (16 outputs), one input card (16 inputs), and a power supply unit all mounted in an enclosure. The Type 2B LCI links to a DCM350 board to host an external CEM sPass read head.

The external CEM sPass DESFire reader is normally fitted within the elevator cabin adjacent to the floor selection panel.

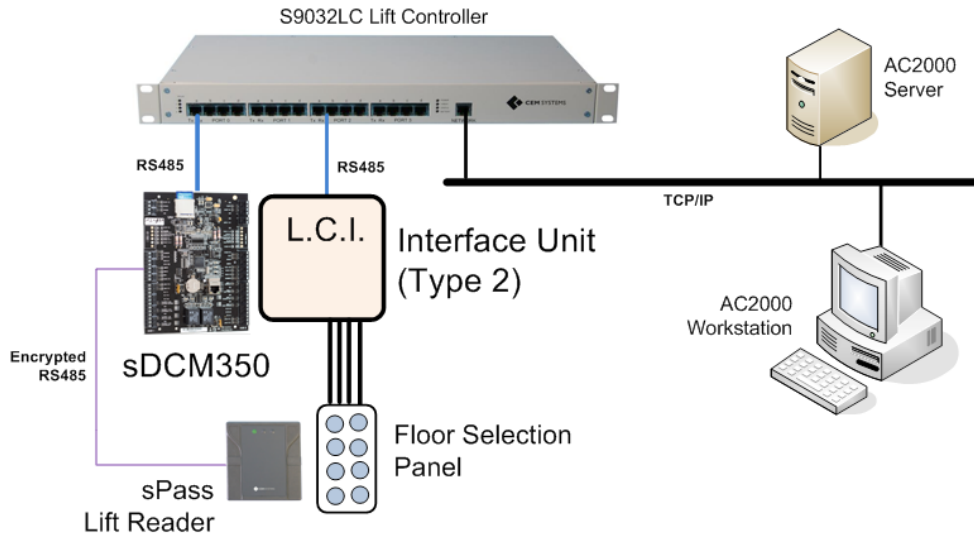
CEM Lift Control solution for up to 16 floors

At the heart of the AC2000 elevator control solution is the S9032 Lift Controller. The controller handles all access requests based on the access levels applied to any individual card holder.

After a valid card transaction at the third party lift reader, an RS485 serial signal is sent to the Type 2B LCI unit. The LCI outputs to the lift floor selection panel, enabling controls only to the buttons that the cardholder has access to. When an enabled button is pressed the lift will function in the normal way.

Each button may have a sensor, optionally connected to the LCI inputs. The LCI will send a signal back to the S9032 Lift Controller informing the AC2000 access control system which floor was selected.

**AC2000 Lift Control (DESFire)
S9032LC with LCI and Encrypted Lift Reader**



Specifications

Physical

Size 400mm x 400mm x 200mm
 Weight 9 kgs
 Housing steel enclosure
 Color options Beige

Power

Voltage Mains power adapter 220-240Vac @ 50Hz (supplied)
 Output voltage 12Vdc @ 2.0A
 Current Consumption 300mA

Environmental

Temperature -10° to 50°C (14° to 122°F)
 Humidity 95% non-condensing
 LED Indicators Online/Offline, comms connection, Activity/Status, Power and Heartbeat

Communication Interface

To card reader Encrypted RS485

Requirements

- AC2000 v7.0 software & upwards
- AC2000 Airport v7.0 software & upwards
- AC2000 Lite Server bundle* v7.0 & upwards
- S9032 Lift Controller
- CEM sPass reader
- CEM sDCM 350

* Not supported in AC2000 Lite Software-only Virtual Kit

Ordering Information

Product Code	Description
DAC/390/L32	S9032 Lift Controller
IOC/000/008B	Encrypted Lift Control Interface Type 2B (up to 16 floors)
DCM/351/005	sDCM 350 (Board Only)
RDR/D10/100	Gray sPass DESFire smart card reader with no keypad
RDR/D10/101	Gray sPass DESFire smart card reader with keypad
RDR/D10/110	Black sPass DESFire smart card reader with no keypad
RDR/D10/111	Black sPass DESFire smart card reader with keypad

Related Products



AC2000
AC2000 Airport



CEM sPass Reader



S9032



sDCM 350

www.cemsys.com