

TE22-120-TX



Outdoor 2-Port EPoT TX Adapter

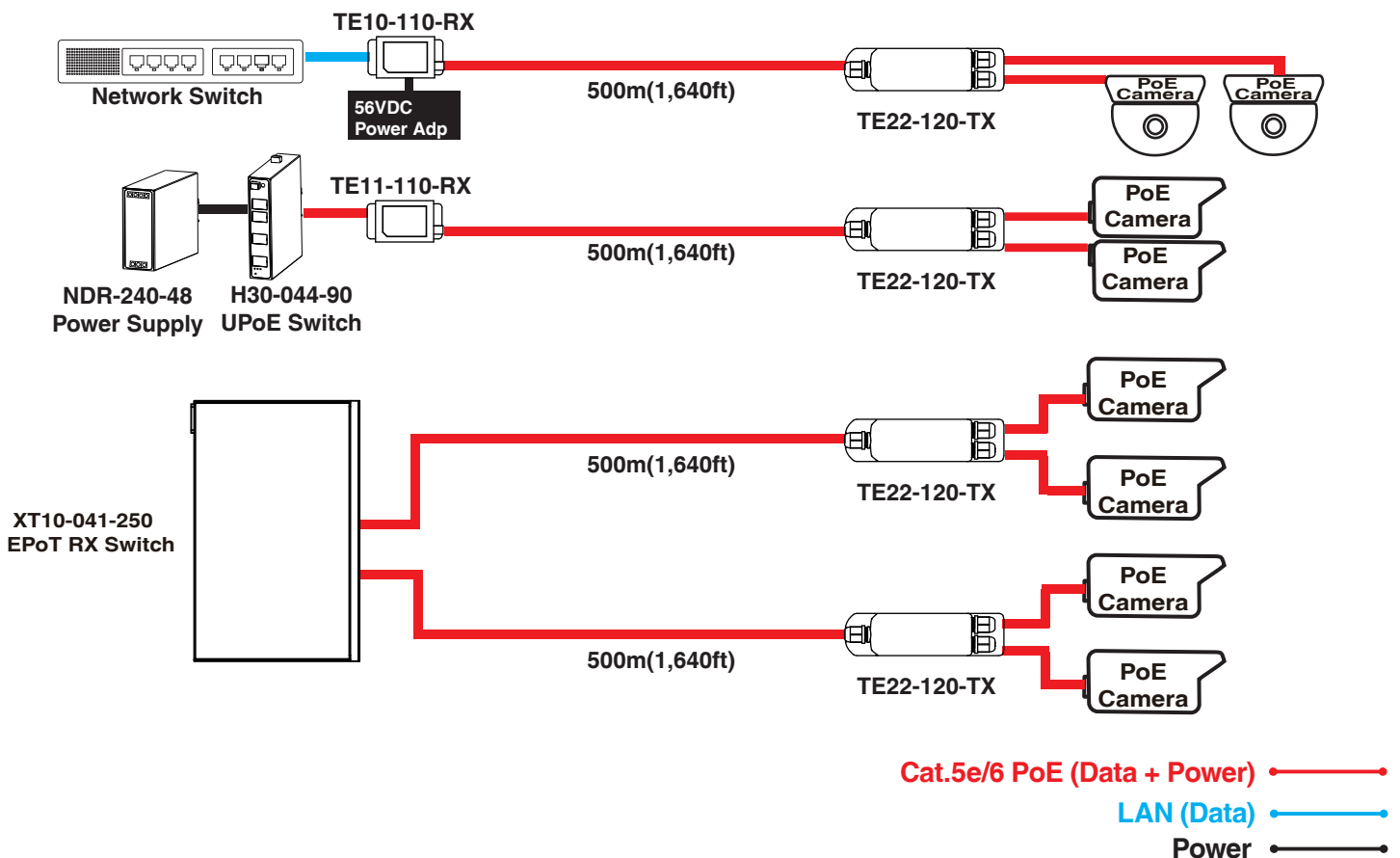
The XE22-120-TX, a 1-to-2 EPoT (Ethernet & Power over UTP/STP Cable) transmitter(TX) adapter equipped with 1 EPoT port & 2-port PoE switch, is designed to connect 2 of remote PoE IP cameras over single UTP/STP Cable without requiring extra power supply. This cutting-edge model delivers data and power at long range up to 500m with 25W PoE budget for 2 of PoE IP cameras remotely.

Outdoor model supports built-in 6KV EPoT surge protection, IP67 rated, IK10 vandal proof, and operates under harsh weather conditions between -30°C ~ 60°C (-22°F ~ 140°F).

Features

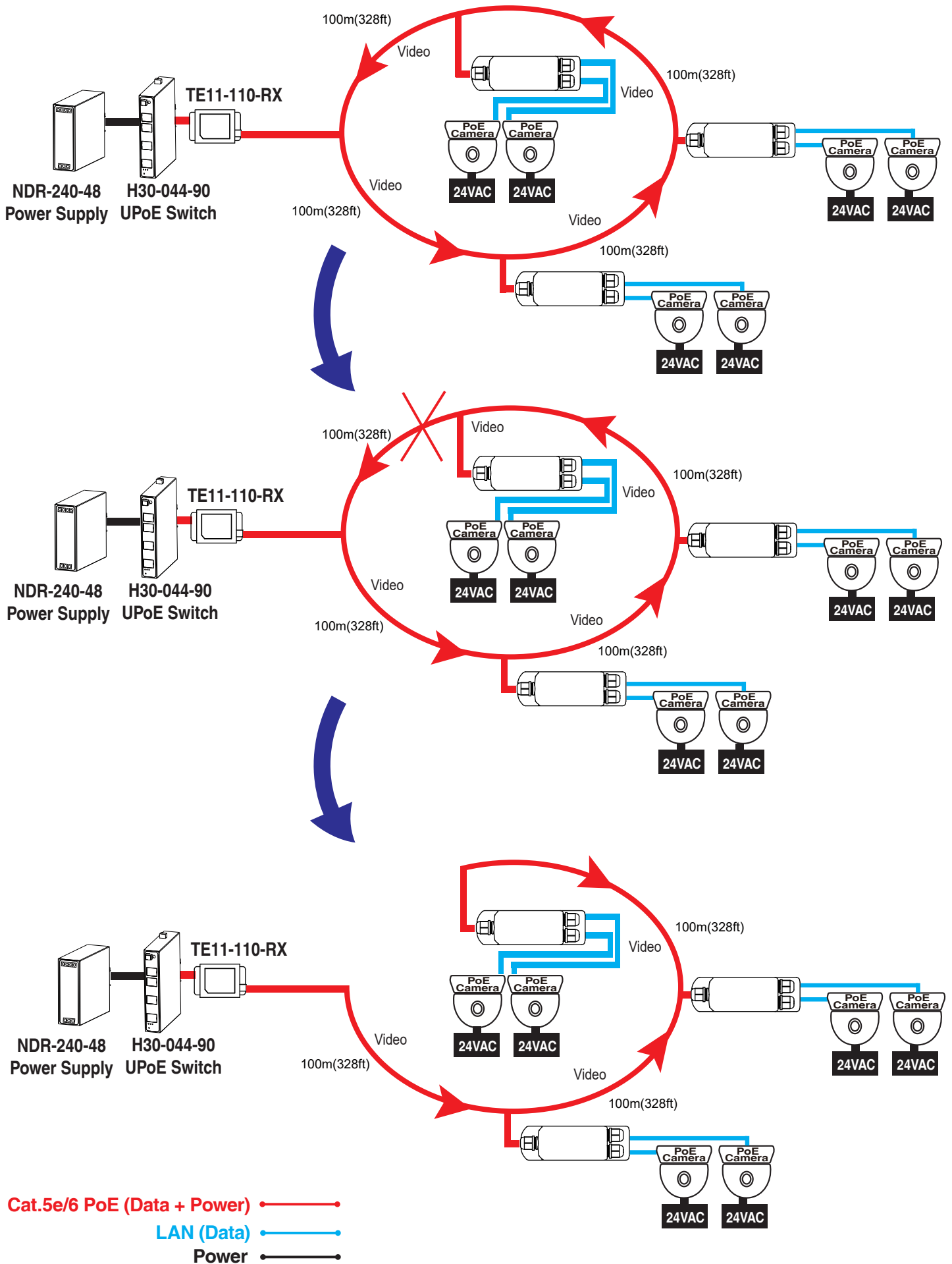
- One RJ45 EPoT port & Two 10/100Mbps PoE PSE port
- IP67 rated, IK10 vandal proof
- Built-in 6KV EPoT surge protection
- Long-range IP data & PoE over 4-pair/2-pair/1-pair UTP /STP cat.5e/6 cables
- Delivers up to 25 watts@500m(1,640ft) shared between two PoE IP cameras
- Supports peer-to-peer, daisy-chain, and failover Ring topologies
- Eliminates the need for intermediate Ethernet switches & power supplies for long-range deployment
- Plug-and-Play connection
- PoE Output On/Off control

Applications



Applications

EPoT Video Failover



Specifications

Interface / Distance

EPoT Port	RJ45 x1
10/100 Mbps Ethernet	PoE PSE RJ45 x2
Transmission mode	Transmitter TX mode
MAX.(Power+Data) Distance	100Mbps, 25W@500m(1,640ft) shared between two PoE IP cameras
Cable Type	UTP/STP cat.5e/6 Cable
Transmission Rate	Phy:600Mbps

Power Specifications

Power Input	EPoT@50~57VDC
Power Output	PoE
Unit Power Consumption	3 watts
EPoT Surge Protection	6KV

Physical Specifications

Weather Rating	IP67
Vandal Proof	IK10
Dimensions (LxWxH)	167.5 x 72.8 x 39.8 mm (6.59x2.87x1.57")
Weight	0.36 kg (0.79 lb)
Connectors	EPoT RJ45 x1, POE LAN RJ45 x2, DIP Switch x1
Mounting Type	Wall mount

Environmental Specifications

Operating Temperature	-30°C ~ 60°C (-22°F ~ 140°F)
Storage Temperature	-40°C ~ 85°C (-40°F ~ 185°F)
Relative Humidity	5% ~ 95% non-condensing

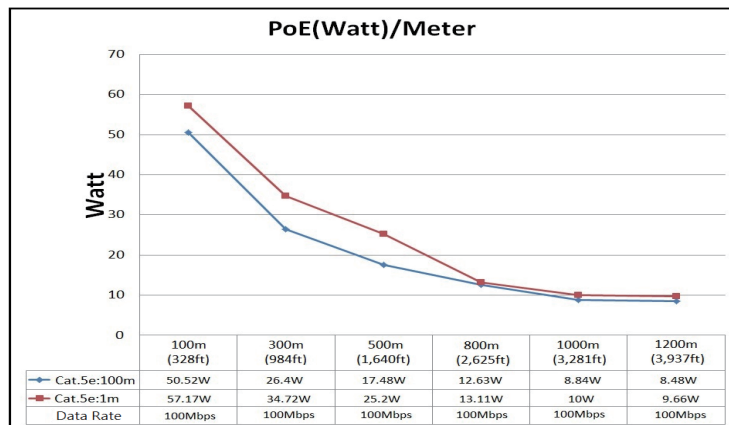
Certifications

EMC	CE, FCC, VCCI, C-Tick
-----	-----------------------

LEDs

LAN	Ethernet status
PWR	Power status
LINK	EPoT RX device connect status
POE	PoE status

Power / Distance Chart



Related Products

EPoT RX Switch



XT10-041-250

- Four BNC coax ports & one Gigabit LAN port
- 6KV Surge Protection for coax port
- 250W Power Supply, 100~240VAC input

EPoT (RX)



- TE10-110-RX**
- TE10-110 EPoT adapter(RX)
 - 65W@56VDC power adapter



- TE11-110-RX**
- TE11-110 PoE EPoT adapter(RX)
 - Supports 30W/60W/95W PoE Input

UTP-YC cable



Outdoor Y type RJ45 Cable