

# TE12-120-TX



## 2-Port EPoT TX Adapter

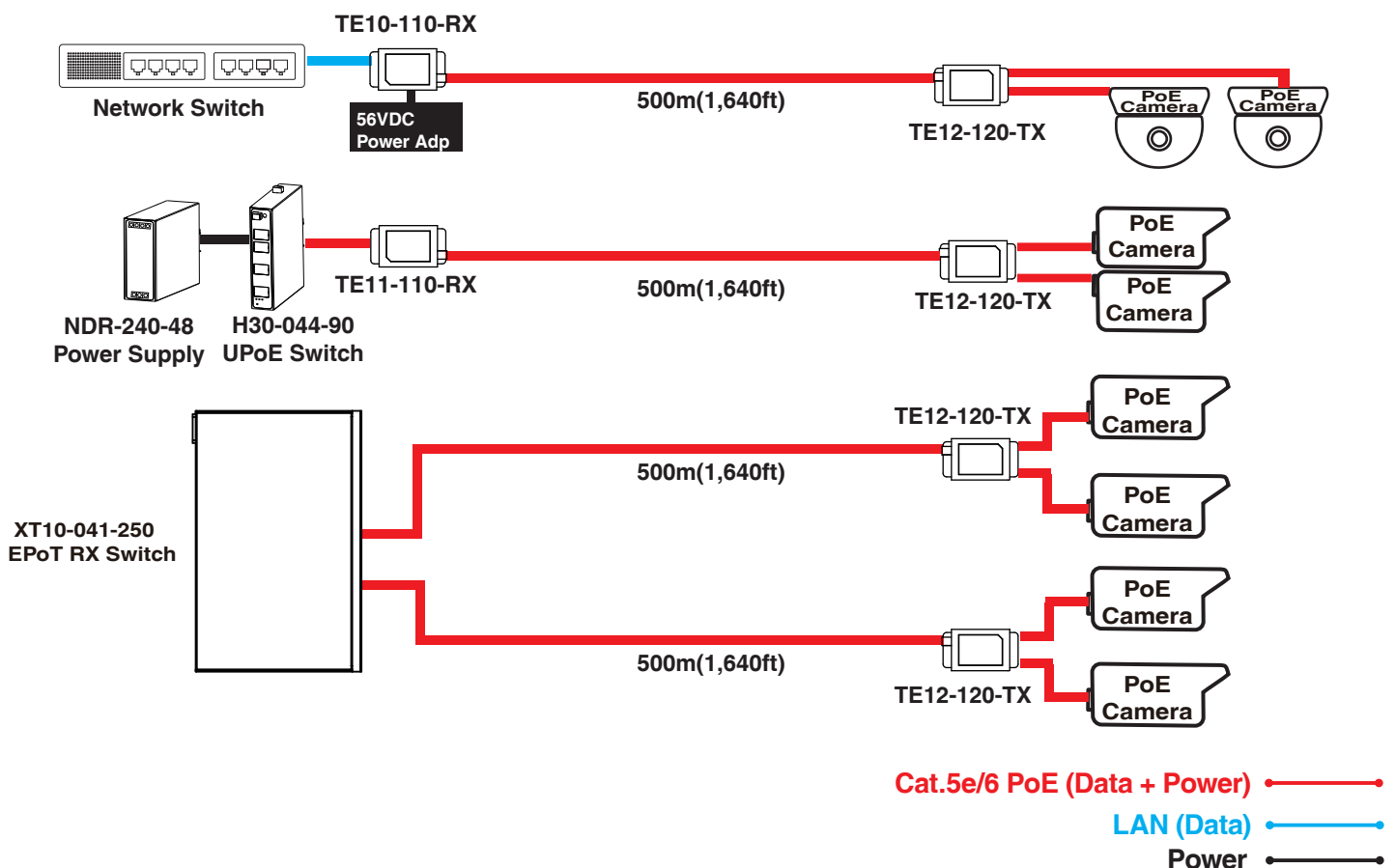
The TE12-120-TX, a 1-to-2 EPoT (Ethernet & Power over UTP/STP Cable) transmitter(TX) equipped with 1 EPoT port & 2-port PoE switch, is designed to connect 2 of remote PoE IP cameras over single UTP/STP Cable without requiring extra power supply.

This cutting-edge model delivers data and power at long range up to 500m with 25W PoE budget for 2 of PoE IP cameras remotely.

### Features

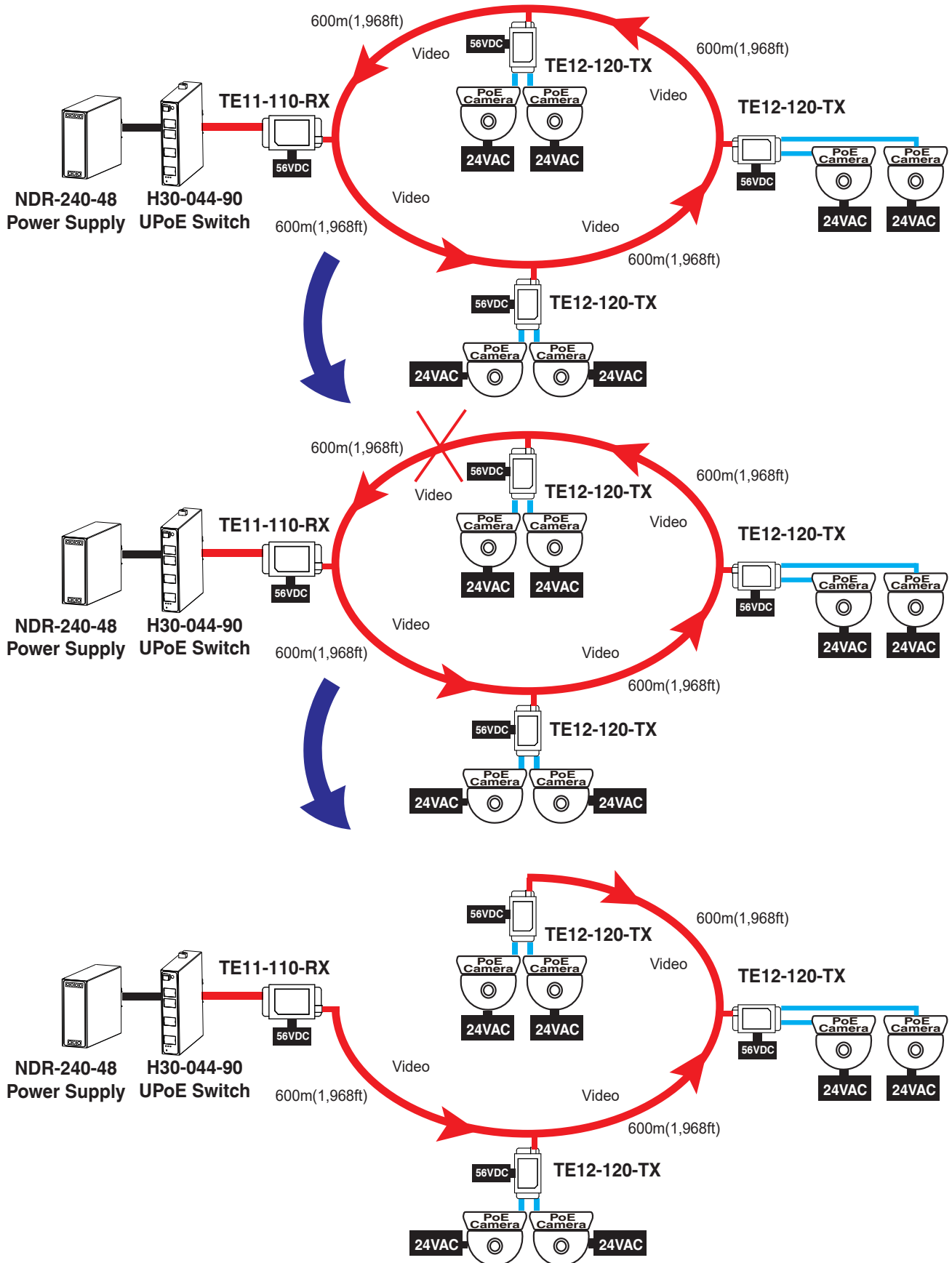
- One RJ45 EPoT port & Two 10/100Mbps PoE PSE port
- Long-range IP data & PoE over 4-pair/2-pair/1-pair UTP /STP cat.5e/6 cables
- Delivers up to 9.7 watts@1,200m(3,937ft) for a PoE IP camera
- Supports peer-to-peer, daisy-chain, and failover Ring topologies
- Eliminates the need for intermediate Ethernet switches & power supplies for long-range deployment
- Plug-and-Play connection
- PoE Output On/Off control

### Applications



# Applications

## EPoT Video Failover



Cat.5e/6 PoE (Data + Power) ————  
LAN (Data) ————  
Power ————

# Specifications

EPoT Port	RJ45 x1
10/100 Mbps Ethernet	PoE PSE RJ45 x2
Transmission mode	Transmitter TX mode
MAX.(Power+Data) Distance	100Mbps, 25W@500m(1,640ft) shared between two PoE IP cameras
Cable Type	UTP/STP cat.5e/6 Cable
Bandwidth	600 Mbps

## Power Specifications

Power Input	EPoT@50~57VDC, 50~57 VDC power adapter
Power Output	PoE
Unit Power Consumption	3 watts
EPoT Surge Protection	6KV

## Physical Specifications

Dimensions (LxWxH)	92.5 x 68.6 x 24.2 mm (3.64x2.7x0.95")
Weight	0.26 kg (0.57 lb)
Connectors	EPoT RJ45 x1, POE LAN RJ45 x2, DC Jack x1, DIP Switch x1
Mounting Type	Wall mount

## Environmental Specifications

Operating Temperature	-20°C ~ 60°C (-28°F ~ 140°F)
Storage Temperature	-20°C ~ 85°C (-28°F ~ 185°F)
Relative Humidity	5% ~ 95% non-condensing

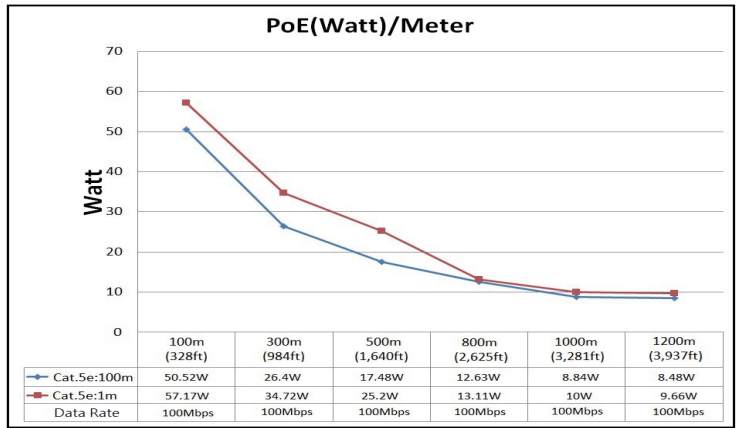
## Certifications

EMC	CE, FCC, VCCI, C-Tick
-----	-----------------------

## LEDs

LAN	Ethernet status
PWR	Power status
LINK	EPoT RX device connect status
POE	PoE status

# Power / Distance Chart



# Related Products

## EPoT RX Switch



XT10-041-250

- Four BNC coax ports & one Gigabit LAN port
- 6KV Surge Protection for coax port
- 250W Power Supply, 100~240VAC input

## EPoT (RX)



TE10-110-RX

- TE10-110 EPoC adapter(RX)
- 65W@56VDC power adapter



TE11-110-RX

- TE11-110 PoE EPoC adapter(RX)
- Supports 30W/60W/95W PoE Input

## UTP-YC cable



Outdoor Y type RJ45 Cable