

# Network Video Recorder

SV-NVR8-20TB



## Key Features

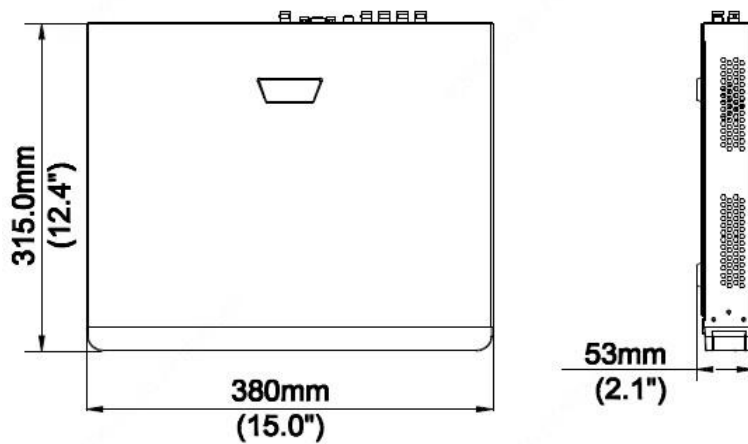
- Support TVI,AHD, CVI,CVBS, IP cameras with adaptive access
- 8-channel BNC input
- Up to 8MP resolution for recording
- Support 1-ch HDMI output at up to 4K, 1-ch VGA output at up to 1920\*1080
- Long transmission distance over coax cable

## Specifications

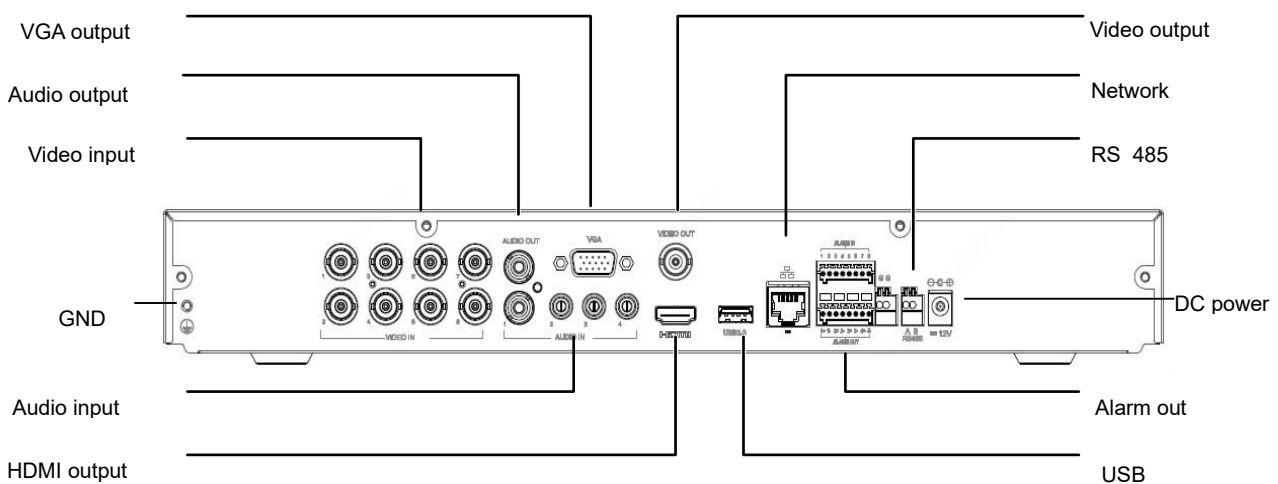
<b>Model no.</b>	<b>SV-NVR8-20TB</b>
<b>VIDEO/ AUDIO INPUT</b>	
<b>Analog video input</b>	8-ch, BNC
<b>IP video input</b>	8-ch (only IP up to 16ch), each channel up to 4K
<b>Supported analog camera types</b>	<p><b>Support AHD input:</b> 8MP@15fps/ 5MP@20fps/ 4MP@30fps/ 3MP@30fps/ 1080P@30fps/ 720P@60fps</p> <p><b>Support TVI input:</b> 8MP@15fps/ 5MP@20ps/ 4MP@30fps/ 3MP@20fps/ 1080P@30fps/ 720P@60fps</p> <p><b>Support CVI input:</b> 8MP@15fps/ 4MP@30fps/ 1080P@30fps/ 720P@60fps</p> <p><b>Support CVBS input</b></p>
<b>Audio input</b>	4-ch, RCA
<b>Two-way audio</b>	1-ch, RCA
<b>Channel associated audio</b>	4-ch, RCA
<b>NETWORK</b>	
<b>Incoming bandwidth</b>	80Mbps
<b>Outgoing bandwidth</b>	64 Mbps
<b>Remote users</b>	128
<b>Protocols</b>	TCP/IP, P2P, UPnP, NTP, DHCP, PPPoE
<b>VIDEO/ AUDIO OUTPUT</b>	
<b>CVBS output</b>	1-ch, BNC
<b>VGA output</b>	1920x1080p/60Hz, 1920x1080p/50Hz, 1600x1200/60Hz, 1280x1024/60Hz, 1280x720/60Hz, 1024x768/60Hz
<b>HDMI output</b>	4K(3840X2160)/60Hz; 4K(3840X2160)/30Hz; 1920x1080p/60Hz; 1920x1080p/50Hz; 1600x1200/60Hz; 1280x1024/60Hz; 1280x720/60Hz; 1024x768/60Hz
<b>Recording resolution</b>	8MP Lite/ 5MP Lite/ 4MP Lite / 3MP/ 1080P/ 960P/ 720P/ 960H/ 4CIF/ CIF
<b>Audio output</b>	1-ch, RCA
<b>Synchronous playback</b>	8-ch
<b>ENCODING</b>	
<b>Recording frame rate</b>	<p><b>Main stream:</b> 8MP@8fps/ 5MP@12fps/ 4MP@15fps/ 3MP@18fps/ 2MP@25fps/ 720P@30fps</p> <p><b>Sub stream:</b> D1@30fps (Max)</p>
<b>Recording resolution</b>	8MP/ 5MP/ 4MP/ 3MP/ 1080P/ 960P/ 720P/ 960H/ 4CIF/ CIF
<b>HARD DISK</b>	
<b>SATA</b>	2 SATA interface
<b>Capacity</b>	Up to 10TB for each HDD
<b>EXTERNAL INTERFACE</b>	
<b>Network interface</b>	1RJ45 10M/ 100M/ 1000M self-adaptive Ethernet interface
<b>USB interface</b>	Rear panel : 1 x USB3.0

	Front panel : 1 x USB2.0
<b>Serial Interface</b>	1 x RS485
<b>Alarm in</b>	8
<b>Alarm out</b>	4
<b>GENERAL</b>	
<b>Power supply</b>	12V DC Power Consumption: ≤ 12 W (without HDD)
<b>Working environment</b>	-10°C~+ 55°C (+14°F~+131°F), Humidity ≤ 90% RH (non-condensing)
<b>Dimensions (W×D×H)</b>	380mm ×315mm× 53mm (15" × 12.4"×2.1")
<b>Weight (without HDD)</b>	≤1.9 Kg (4.19lb)

## Dimensions



## Rear Panel



### ScanViS Limited

611 East Wing, No.8 Science Park West Avenue, Hong Kong Science Park, Tai Po, Hong Kong

[sales@scanvis-ai.com](mailto:sales@scanvis-ai.com) | [www.scanvis-ai.com](http://www.scanvis-ai.com)

©2019 ScanViS Ltd. All rights reserved. \*Product specifications and availability are subject to change without notice.