

4MP Cable-free WDR IR Fixed Dome Network Camera

SV-IPC4M-D28MF



Key Features

Optics

- Day/ night functionality
- Smart IR, up to 30m (98ft) IR distance
- Up to 120 dB WDR (Wide Dynamic Range)
- 2D/3D DNR (Digital Noise Reduction)

Compression

- Ultra 265, H.265, H.264, MJPEG
- ROI (Region of Interest)
- Customized OSD

Network

- ONVIF conformance

Structure

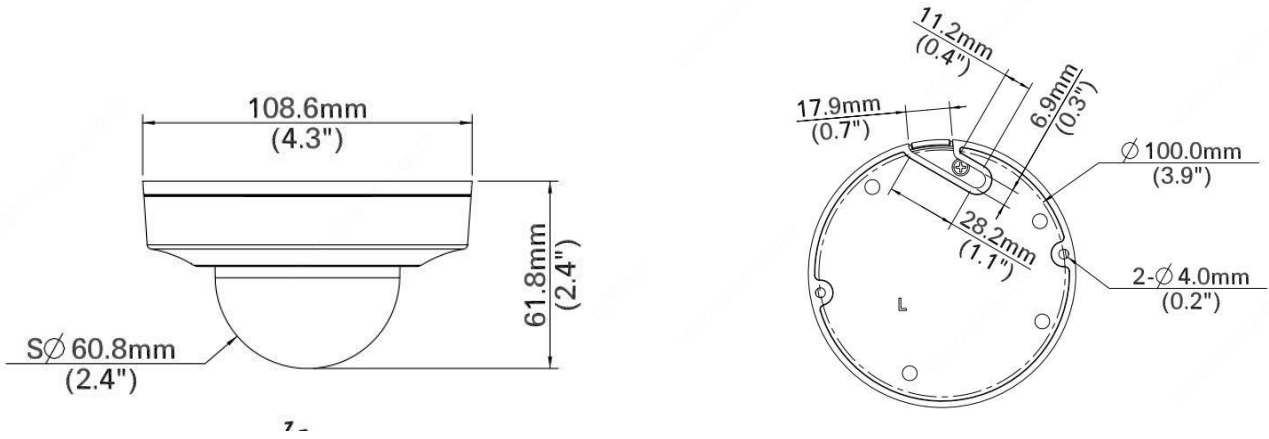
- Micro SD, up to 256GB
- Wide temperature range: -35°C ~ 60°C (-31°F ~ 140°F)
- Wide input voltage range of $\pm 25\%$
- 3-Axis

Specifications

Model no.	SV-IPC4M-D28MF				
CAMERA					
Sensor	1/3", 4.0 megapixel, progressive scan, CMOS				
Lens	2.8mm@F2.0				
DORI distance	Lens (mm)	Detect (m)	Observe (m)	Recognize (m)	Identify (m)
	2.8	63.0	25.2	12.6	6.3
Angle of view (H)	95.8°				
Angle of view (V)	55.2°				
Angle of view (O)	124.5°				
Adjustment angle	Pan: 3° ~ 360°		Tilt: 0° ~ 68°		Rotate: 3° ~ 360°
Shutter	Auto/Manual, 1 ~ 1/100000s				
Minimum illumination	Colour: 0.01Lux (F2.0, AGC ON) 0Lux with IR				
Day night	IR-cut filter with auto switch (ICR)				
Digital noise reduction	2D/3D DNR				
S/N	>52dB				
IR range	Up to 30m (98ft) IR range				
WDR	120dB				
VIDEO					
Video compression	Ultra 265, H.265, H.264, MJPEG				
H.264 code profile	Baseline profile, main profile				
Frame rate	Main stream: 4MP (2592*1520), Max 30fps; 4MP (2560*1440), Max 30fps; 3MP (2048*1520), Max 30fps; 1080P (1920*1080), Max 30fps; Sub stream: 720P (1280*720), Max 30fps; Third stream: 4CIF(704*576), Max 30fps				
HLC	Supported				
BLC	Supported				
OSD	Up to 4 OSDs				
Privacy mask	Up to 4 areas				
ROI	Up to 2 areas				
Motion detection	Up to 4 areas				

AUDIO	
Audio compression	G.711
Two-way audio	Supported
Suppression	Supported
Sampling rate	8KHZ
STORAGE	
Edge storage	Micro SD, up to 128GB
Network storage	ANR
SMART	
Behavior detection	Human body detection
NETWORK	
Protocols	IPv4, IGMP, ICMP, ARP, TCP, UDP, DHCP, RTP, RTSP, RTCP, DNS, DDNS, NTP, FTP, UPnP, HTTP, HTTPS, SMTP, SSL, QoS, RTMP
Compatible integration	ONVIF (Profile S, Profile G, Profile T), API
INTERFACE	
Audio I/O	Input: impedance 35kΩ; amplitude 2V [p-p]
	Output: impedance 600Ω; amplitude 2V [p-p]
Built-in mic	Supported
Alarm I/O	1/1
Network	10M/100M Base-TX Ethernet
SMART	
Power	DC 12V±25%, PoE (IEEE 802.3af)
	Power consumption: Max 5.5W
Dimensions (Ø x H)	Φ108.6 x 61.8mm (Ø4.28" x 2.43")
Weight	0.22kg (0.49lb)
Working environment	-35°C ~ 60°C (-31°F ~ 140°F), Humidity: ≤95% RH (non-condensing)
Reset button	Supported

Dimensions



ScanViS Limited

611 East Wing, No.8 Science Park West Avenue, Hong Kong Science Park, Tai Po, Hong Kong

sales@scanvis-ai.com | www.scanvis-ai.com

©2019 ScanViS Ltd. All rights reserved. *Product specifications and availability are subject to change without notice.