

# 2MP StarLight Mini Fixed Bullet Network Camera

SV-IPC2M-B40MF



## Key Features

### Optics

- Day/night functionality
- Smart IR, up to 50m (164ft) IR distance
- Optical glass window with higher light transmittance
- IR anti-reflection window to increase the infrared transmittance
- 2D/3D DNR (Digital Noise Reduction)

### Compression

- Ultra 265, H.265, H.264
- ROI (Region of Interest)

### Network

- ONVIF conformance

### Structure

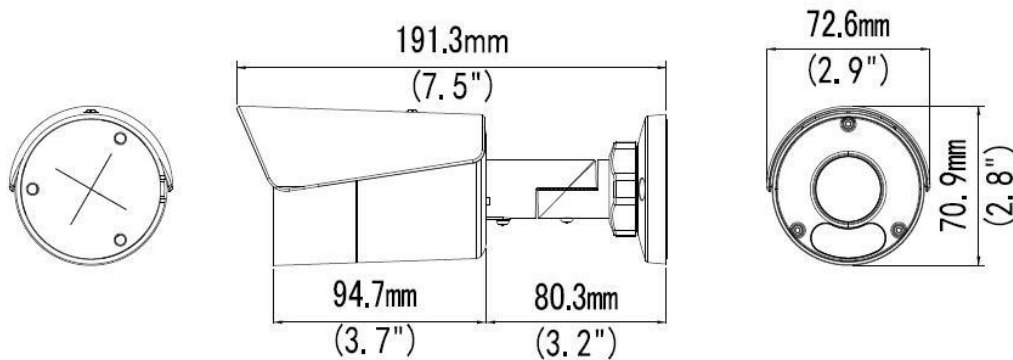
- Wide temperature range: -30°C ~ 60°C (-22°F ~ 140°F)
- Wide voltage range of  $\pm 25\%$
- IP67

## Specifications

<b>Model no.</b>	<b>SV-IPC2M-B40MF</b>				
<b>CAMERA</b>					
<b>Sensor</b>	1/2.7", 2.0 megapixel, progressive scan, CMOS				
<b>Lens</b>	4.0mm@F1.6				
<b>DORI distance</b>	Lens (mm)	Detect (m)	Observe (m)	Recognize (m)	Identify (m)
	4.0	60	24	12	6
<b>Angle of view (H)</b>	86.5°				
<b>Angle of view (V)</b>	44.1°				
<b>Angle of view (O)</b>	106.4°				
<b>Adjustment angle</b>	Pan: 0° ~ 360°		Tilt: 0° ~ 90°		Rotate: 0° ~ 360°
<b>Shutter</b>	Auto/ manual, 1 ~ 1/100000s				
<b>Minimum illumination</b>	Colour: 0.002Lux ( F1.6, AGC ON) 0Lux with IR				
<b>Day/ night</b>	IR-cut filter with auto switch (ICR)				
<b>Digital noise reduction</b>	2D/3D DNR				
<b>S/N</b>	>52dB				
<b>IR range</b>	Up to 50m (164ft) IR range				
<b>WDR</b>	DWDR				
<b>VIDEO</b>					
<b>Video compression</b>	Ultra 265, H.265, H.264				
<b>H.264 code profile</b>	Baseline profile, main profile, high profile				
<b>Frame rate</b>	Main Stream: 2MP (1920*1080), Max 30fps; Sub Stream: 4CIF (704*576), Max 30fps Third Stream: CIF (352*288), Max 30fps				
<b>HLC</b>	Supported				
<b>BLC</b>	Supported				
<b>OSD</b>	Up to 8 OSDs				
<b>Privacy mask</b>	Up to 4 areas				
<b>ROI</b>	Up to 8 areas				

<b>Motion detection</b>	Up to 4 areas
<b>NETWORK</b>	
<b>Protocols</b>	IPv4, IGMP, ICMP, TCP, UDP, DHCP, RTP, RTSP, RTCP, DNS, DDNS, NTP, UPnP, HTTP
<b>Compatible integration</b>	ONVIF (Profile S, Profile T), API
<b>INTERFACE</b>	
<b>Network</b>	10/100M Base-TX Ethernet
<b>GENERAL</b>	
<b>Power</b>	DC 12V±25%, PoE (IEEE 802.3af)
	Power consumption: Max 6W
<b>Dimensions (Ø x H)</b>	191.3×72.6×70.9mm (7.5"×2.9"×2.8")
<b>Weight</b>	0.5kg (1.1lb)
<b>Working environment</b>	-30°C ~ 60°C (-22°F ~ 140°F), Humidity: ≤95% RH (non-condensing)
<b>Ingress protection</b>	IP67

## Dimensions



### ScanViS Limited

611 East Wing, No.8 Science Park West Avenue, Hong Kong Science Park, Tai Po, Hong Kong

[sales@scanvis-ai.com](mailto:sales@scanvis-ai.com) | [www.scanvis-ai.com](http://www.scanvis-ai.com)

©2019 ScanViS Ltd. All rights reserved. \*Product specifications and availability are subject to change without notice.