

# 8MP WDR (Motorized) VF Eyeball Network IR Camera

SV-AIPC8M-D28-120VF



## Key Features

### Optics

- Day/ night functionality
- Optical glass window with higher light transmittance
- IR anti-reflection window to increase the infrared transmittance
- Smart IR, up to 30m (98ft) IR distance
- Up to 120dB Optical WDR (Wide Dynamic Range)
- 2D/3D DNR (Digital Noise Reduction)

### Compression

- Ultra 265, H.264, MJPEG
- Embedded smart algorithm
- Triple streams
- ROI (Region of Interest)
- 9:16 corridor mode

### Network

- ONVIF conformance

## Structure

- Support PoE power supply
- Wide temperature range: -40°C ~ 60°C (-40°F ~ 140°F)
- Wide voltage range of ±25%
- IP67
- 3-Axis

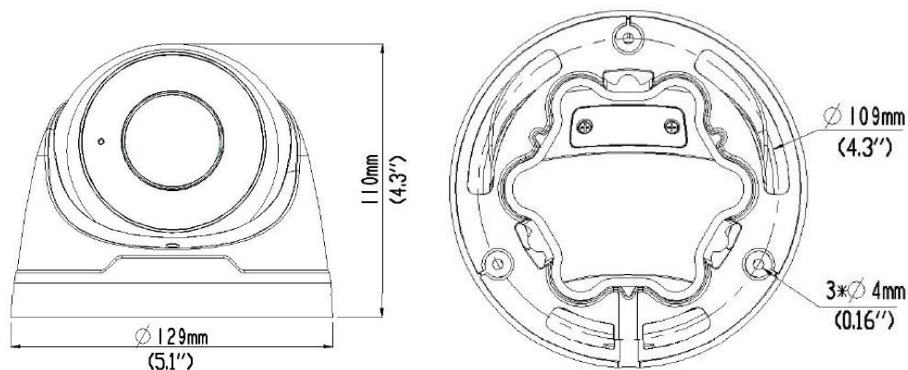
## Specifications

<b>Model no.</b>	<b>SV-AIPC8M-D28-120VF</b>				
<b>CAMERA</b>					
<b>Sensor</b>	1/2", 8.0 megapixel, progressive scan, CMOS				
<b>Lens</b>	2.8 ~ 12mm, AF automatic focusing and motorized zoom lens				
<b>DORI distance</b>	Lens (mm)	Detect (m)	Observe (m)	Recognize (m)	Identify (m)
	2.8	63	25.2	12.6	6.3
	12	270	108	54	27
<b>Angle of view (H)</b>	114.8° ~ 47.3°				
<b>Angle of view (V)</b>	75.3° ~ 20.4°				
<b>Angle of view (O)</b>	141.2° ~ 55.8°				
<b>Adjustment angle</b>	Pan: 0° ~ 360°		Tilt: 0° ~ 90°		Rotate: 0° ~ 360°
<b>Shutter</b>	Auto/ manual, 1 ~ 1/100000s				
<b>Minimum illumination</b>	Colour: 0.003Lux (F1.5, AGC ON) 0Lux with IR				
<b>Day/ night</b>	IR-cut filter with auto switch (ICR)				
<b>Digital noise reduction</b>	2D/3D DNR				
<b>S/N</b>	>52dB				
<b>IR range</b>	Up to 30m (98ft) IR range				
<b>Defog</b>	Digital defog				
<b>WDR</b>	120dB				
<b>VIDEO</b>					
<b>Video compression</b>	Ultra 265, H.264, MJPEG				

<b>Frame rate</b>	Main Stream: 8MP (3840*2160), Max 20fps; 5MP (2592*1944), Max 30fps; 5MP (2944*1656), Max 30fps; 4MP (2560*1440), Max 30fps; 2MP (1920*1080), Max 30fps; Sub Stream: 2MP (1920*1080), Max 30fps; Third Stream: D1 (720*576), Max 30fps
<b>9:16 corridor mode</b>	Supported
<b>HLC</b>	Supported
<b>BLC</b>	Supported
<b>OSD</b>	Up to 8 OSDs
<b>Privacy mask</b>	Up to 8 areas
<b>ROI</b>	Up to 8 areas
<b>Motion detection</b>	Up to 4 areas
<b>SMART</b>	
<b>Behavior detection</b>	Intrusion, cross line, motion detection
<b>Intrusion</b>	Enter and loiter in a pre-defined virtual region
<b>cross line</b>	Cross a pre-defined virtual line
<b>motion detection</b>	Moving within a pre-defined virtual region
<b>Recognition</b>	Face detection, audio detection
<b>Intelligent identification</b>	Defocus, scene change
<b>Statistical analysis</b>	People counting
<b>General function</b>	Watermark, IP address filtering, tampering alarm, access policy, ARP protection, RTSP authentication, user authentication
<b>AUDIO</b>	
<b>Audio compression</b>	G.711
<b>Suppression</b>	Supported
<b>Sampling rate</b>	8KHZ
<b>STORAGE</b>	
<b>Edge storage</b>	Micro SD, up to 256GB
<b>Network storage</b>	ANR
<b>NETWORK</b>	
<b>Protocols</b>	IPv4, IGMP, ICMP, ARP, TCP, UDP, DHCP, PPPoE, RTP, RTSP, RTCP, DNS, DDNS, NTP, FTP, UPnP, HTTP, HTTPS, SMTP, 802.1x, SNMP, QoS
<b>Compatible integration</b>	ONVIF (Profile S, Profile G, Profile T), API

INTERFACE	
<b>Built-in mic</b>	Supported
<b>Network</b>	1 RJ45 10M/100M Base-TX Ethernet
GENERAL	
<b>Power</b>	DC 12V±25%, PoE (IEEE 802.3af)
	Power consumption: Max 8.16W
<b>Dimensions (Ø x H)</b>	Φ129 x 110mm (Ø5.08" x 4.3")
<b>Weight</b>	0.82kg (1.8lb)
<b>Working environment</b>	-40°C ~ 60°C (-40°F ~ 140°F), Humidity: ≤95% RH (non-condensing)
<b>Reset button</b>	Supported
<b>Ingress protection</b>	IP67

## Dimensions



### ScanViS Limited

611 East Wing, No.8 Science Park West Avenue, Hong Kong Science Park, Tai Po, Hong Kong  
[sales@scanvis-ai.com](mailto:sales@scanvis-ai.com) | [www.scanvis-ai.com](http://www.scanvis-ai.com)

©2019 ScanViS Ltd. All rights reserved. \*Product specifications and availability are subject to change without notice.