

5MP WDR Starlight IR Network Indoor MiniPTZ Dome Camera

SV-AIPC5M-PTZX5I



Key Features

Optics

- Starlight illumination
- Day/ night functionality
- Smart IR, up to 30 m (98 ft) IR distance
- Up to 120 dB Optical WDR (Wide Dynamic Range)
- Optical glass window with higher light transmittance
- IR anti-reflection window to increase the infrared transmittance
- 2D/3D DNR (Digital Noise Reduction)

Compression

- Ultra 265, H.265, H.264, MJPEG
- Built-in microphone & speaker
- Triple streams
- ROI (Region of Interest)

Network

- ONVIF conformance

Structure

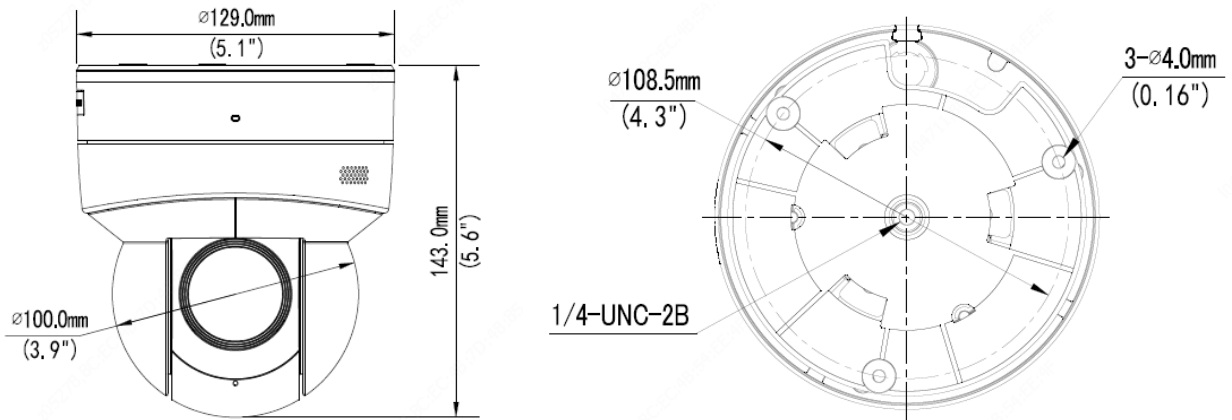
- Support PoE power supply
- Wide temperature range: -10°C to 50°C (14°F to 122°F)
- Wide voltage range of ±25%

Specifications

Model no.	SV-AIPC5M-PTZX5I				
CAMERA					
Sensor	1/2.7" progressive scan, 5.0 megapixel, CMOS				
Lens	2.7~13.5mm, AF automatic focusing and motorized zoom lens				
DORI distance	Lens	Detect(m)	Observe(m)	Recognize(m)	Identify(m)
	2.7mm	60.8	24.3	12.2	6.1
	13.5mm	303.8	121.5	60.8	30.4
Angle of view (H)	27.9°~98.3°				
Angle of view (V)	20.6°~70.3°				
Angle of view (O)	30.0°~136.9°				
Shutter	Auto/ manual, shutter time: 1 s ~ 1/100000 s				
Minimum illumination	Colour: 0.002 lux (F1.2,AGC ON) 0 lux with IR				
Iris	F1.2				
Day/ night	IR-cut filter with auto switch (ICR)				
Digital noise reduction	2D/3D DNR				
S/N	>55 dB				
IR range	UP to 30m (98ft)				
WDR	120dB				
VIDEO					
Video compression	Ultra 265, H.265, H.264, MJPEG				
H.264 code profile	Baseline profile, main profile, high profile				
Frame rate	Main stream:5M (2592*1944):Max. 30 fps; Sub stream: 720P (1280*720):Max. 30 fps; Third stream: D1 (720*576): Max. 30 fps				
BLC	Supported				
OSD	Up to 8 OSDs				
Privacy mask	Up to 24 areas				
ROI	Up to 8 areas				
Motion detection	Up to 4 areas				
SMART					
Behavior detection	Line crossing detection, Intrusion detection				
Exception detection and	Object moving, object Left,				

statistics	
Recognition	Face detection
Statistical analysis	People counting
General function	Watermark, IP address filtering, tampering alarm, alarm input, alarm output, access policy, ARP protection, RTSP authentication, user authentication
AUDIO	
Audio compression	G.711
Suppression	Supported
Sampling rate	8 KHZ
STORAGE	
Edge storage	Micro SD, up to 256 GB
Network storage	ANR
NETWORK	
Protocols	IPv4, IGMP, ICMP, ARP, TCP, UDP, DHCP , PPPoE, RTP, RTSP, RTCP, DNS, DDNS, NTP, FTP, UPnP, HTTP, HTTPS, SMTP , 802.1x , SNMP, SSL
Compatible integration	ONVIF (Profile S, Profile G), API
PAN & TILT	
Pan range	350°
Pan speed	0.1°/s ~ 60°/s
	Preset speed: 60°/s
Tilt range	0° ~ 90°
Tilt speed	0.1° ~ 50°/s
	Preset speed: 50°/s
Number of presets	1024
Home position	Supported
INTERFACE	
Alarm I/O	1/1
Serial port	1 RS485
Network	1 RJ45 10M/100M Base-TX Ethernet
Built-in mic	Supported
Built-in speaker	Supported
WIFI	Supported
GENERAL	
Power	DC 12V±25%, PoE (IEEE802.3 at)
	Power consumption: Max 16W
Dimensions (Ø x H)	Φ129mm×143mm (Φ5.07" x5.63")
Weight	0.75kg(1.65lb)
Working environment	-10°C ~ +50°C (14°F ~ 122°F), Humidity: ≤95% RH (non-condensing)
Reset button	Supported

Dimensions



ScanViS Limited

611 East Wing, No.8 Science Park West Avenue, Hong Kong Science Park, Tai Po, Hong Kong

sales@scanvis-ai.com | www.scanvis-ai.com

©2019 ScanViS Ltd. All rights reserved. *Product specifications and availability are subject to change without notice.