

4MP LightHunter Deep Learning Vandal-resistant Dome Network Camera

SV-AIPC4M-D28-120VF



Key Features

Optics

- 1/1.8", powered by LightHunter
- SmartIR, up to 40m (131 ft) IR distance
- Up to 120 dB Optical WDR (Wide Dynamic Range)

Smart

- Face detection, up to 40 faces simultaneously
- Face metering, intelligent adjustment of face brightness
- Capture faces upon successful recognition or triggered by alarm input
- Automatic selection of best snapshots
- People counting, statistics of people entering, leaving and the total number
- Perimeter protection, include cross Line, intrusion, enter area, leave area detection
- Exception detection and statistics, include object moving, object left, defocus, scene change

Compression

- Ultra 265, H.265, H.264, MJPEG
- Triple streams
- 2688*1520@30fps in the main stream
- ROI (Region of Interest)
- 9:16 corridor mode

Network

- ONVIF conformance

Structure

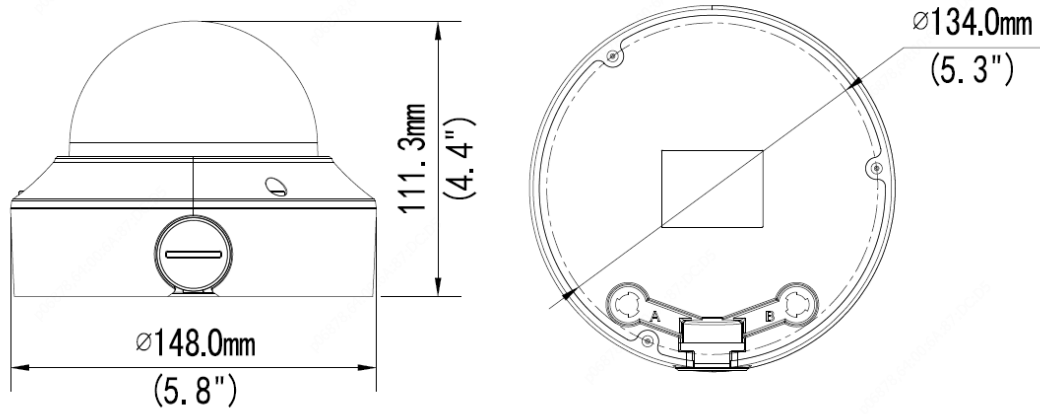
- DC12V or AC24V or PoE power supply
- Wide voltage range of $\pm 25\%$ in AC, $\pm 25\%$ in DC
- Micro SD, up to 256 GB
- Alarm 1 in and 1 out, Audio 1 in and 1 out
- IP67 ingress protection
- IK10 vandal resistant

Specifications

Model No.	SV-AIPC4M-D28-120VF				
CAMERA					
Sensor	1/1.8", 4.0 megapixel, progressive scan, CMOS				
Lens	2.8-12mm@F1.2, AF automatic focusing and motorized zoom lens				
Iris	Auto aperture				
DORI distance	Lens (mm)	Detect (m)	Observe (m)	Recognize (m)	Identify (m)
	2.8	42(137.8ft)	16.8(55.1ft)	8.4(27.6ft)	4.2(13.8ft)
	12	180(590.4ft)	72(236.2ft)	36(118.1ft)	18(59.0ft)
Angle of view (H)	35.6°~107.9°				
Angle of view (V)	20.4°~75.4°				
Angle of view (O)	43.8°~140.3°				
Shutter	Auto/ manual, 1 ~ 1/100000s				
Adjustment angle	Pan: 0°~355°		Tilt: 0°~68°		Rotate: 0°~355
Min. illumination	Colour:0.0005lux (F1.2, AGC ON) 0 lux with IR				
WDR	120dB				
Day/ night	IR-cut filter with auto switch (ICR)				

VIDEO	
Video compression	Ultra 265, H.265, H.264, MJPEG
Frame rate	4MP (2688*1520), Max 30fps
9:16 corridor mode	Supported
ROI	Supported
Video stream	Triple streams
OSD	Up to 8 OSDs
Privacy mask	Supported
SMART	
Behavior detection	Line crossing detection, intrusion detection, region entrance detection, region exit detection
Exception detection and statistics	Object moving, object left, defocus, scene change
Recognition	Face detection
Statistical analysis	People counting
General function	Watermark, IP address filtering, tampering alarm, alarm input, alarm output, access policy, ARP protection, RTSP authentication, user authentication
AUDIO	
Audio compression	G.711U, G.711A
Voice intercom	Supported
Sampling rate	8KHZ
STORAGE	
Edge storage	Micro SD, up to 256 GB
NETWORK	
Protocols	L2TP,IPv4,IGMP,ICMP,ARP,TCP,UDP,DHCP,PPPoE,RTP,RTSP,DNS,DDNS,NTP,FTP,UPnP,HTTP,SNMP,SIP
Compatible integration	ONVIF,IMOS
INTERFACE	
Audio I/O	Audio cable
	1/1
Alarm I/O	1/1
Network	1 x RJ45 10M/100M Base-TX Ethernet
GENERAL	
Power	AC24V±25%, DC12V (±25%), PoE(IEEE 802.3af)
	Power consumption: 4.5W ~10W
	Support reverse polarity protection, overvoltage and overcurrent protection, input short circuit protection
Dimensions (Ø x H)	Φ148 x 111.3mm(Φ5.8" x 4.4")
Weight	0.96kg(2.12lb)
Working environment	-30°C~60°C (-22°F ~ 140°F), ≤95%RH
IR fill-in light	40m (131 ft)
Vandal resistant	IK10
Ingress protection	IP67

Dimensions



ScanViS Limited

611 East Wing, No.8 Science Park West Avenue, Hong Kong Science Park, Tai Po, Hong Kong

sales@scanvis-ai.com | www.scanvis-ai.com

©2019 ScanViS Ltd. All rights reserved. *Product specifications and availability are subject to change without notice.