

# 4MP Cable-free WDR IR Fixed Dome Network Camera

SV-AIPC2M-PTZX22I



## Key Features

### Optics

- Starlight illumination
- 22x optical zoom
- Accurate and fast focusing

### Compression

- Ultra 265, H.265, H.264, MJPEG
- Embedded smart algorithm
- Triple streams
- Customized OSD

### Network

- ONVIF conformance

### Structure

- Fast installation structure design
- Intelligent temperature control technology
- 6KV surge protection designed for network interface
- IK10

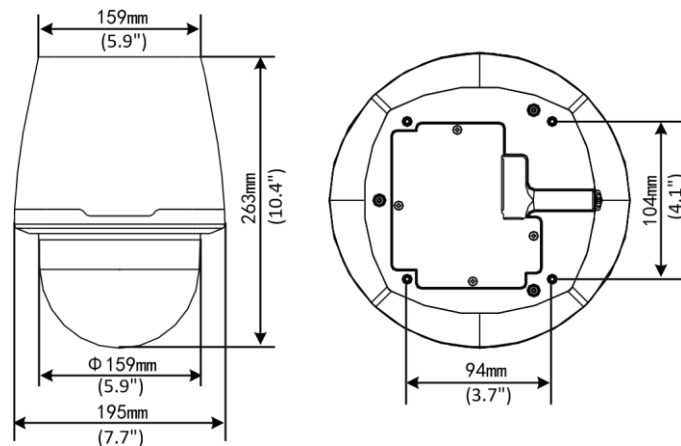
## Specifications

<b>Model No.</b>	<b>SV-AIPC2M-PTZX22I</b>				
<b>CAMERA</b>					
<b>Sensor</b>	1/2.8", 2.0 megapixel, progressive scan, CMOS				
<b>Lens</b>	5.2 ~ 114.4mm, AF automatic focusing and motorized zoom lens				
<b>Digital zoom</b>	16				
<b>Optical zoom</b>	22				
<b>DORI distance</b>	Lens (mm)	Detect (m)	Observe (m)	Recognize (m)	Identify (m)
	5.2	80.7	32.3	16.1	8.1
	114.4	1775.2	710.1	355	177.5
<b>Angle of view (H)</b>	55.9° ~ 3.5°				
<b>Angle of view (V)</b>	33.5° ~ 1.6°				
<b>Angle of view (O)</b>	68.8° ~ 4.2°				
<b>Shutter</b>	Auto/ manual; shutter time: 1 ~ 1/100000s				
<b>Minimum illumination</b>	Colour: 0.001Lux (F1.5, AGC ON) B/W: 0.0001Lux(F1.5, AGC ON)				
<b>Iris</b>	Auto/ manual; F1.5 ~ F3.0				
<b>Day/ night</b>	IR-cut filter with auto switch (ICR)				
<b>Digital noise reduction</b>	2D/3D DNR				
<b>S/N</b>	>52dB				
<b>Defog</b>	Digital defog				
<b>WDR</b>	120dB				
<b>VIDEO</b>					
<b>Video compression</b>	Ultra 265, H.265, H.264, MJPEG				
<b>H.264 code profile</b>	Baseline profile, main profile, high profile				
<b>Frame rate</b>	Main stream: 2MP (1920*1080), Max 30fps; Sub stream: 2MP (1920*1080), Max 30fps; Third stream: D1 (720*576), Max 30fps				
<b>HLC</b>	Supported				
<b>BLC</b>	Supported				
<b>OSD</b>	Up to 8 OSDs				
<b>Privacy mask</b>	Up to 24 areas				

<b>ROI</b>	Up to 8 areas
<b>Motion detection</b>	Up to 4 areas
<b>SMART</b>	
<b>Behavior detection</b>	Intrusion, cross line, motion detection
<b>Intrusion</b>	Enter and loiter in a pre-defined virtual region
<b>Cross line</b>	Cross a pre-defined virtual line
<b>Motion detection</b>	Moving within a pre-defined virtual region
<b>Recognition</b>	Face detection, audio detection
<b>Intelligent identification</b>	Object left, object moving
<b>Statistical analysis</b>	People counting
<b>General function</b>	Watermark, IP address filtering, tampering alarm, alarm input, alarm output, access policy, ARP protection, RTSP authentication, user authentication
<b>AUDIO</b>	
<b>Audio compression</b>	G.711
<b>Two-way audio</b>	Supported
<b>Suppression</b>	Supported
<b>Sampling rate</b>	8KHZ
<b>STORAGE</b>	
<b>Edge storage</b>	Micro SD, up to 256GB
<b>Network storage</b>	ANR
<b>NETWORK</b>	
<b>Protocols</b>	IPv4, IGMP, ICMP, ARP, TCP, UDP, DHCP, PPPoE, RTP, RTSP, RTCP, DNS, DDNS, NTP, FTP, UPnP, HTTP, HTTPS, SMTP, 802.1x, SNMP, QoS
<b>Compatible integration</b>	ONVIF (Profile S, Profile G, Profile T), API
<b>PAN &amp; TILT</b>	
<b>Pan range</b>	360° (endless)
<b>Pan speed</b>	0.1°/s ~ 400°/s
	Preset speed:540°/s
<b>Tilt range</b>	-18° ~ 90° (auto reverse)
<b>Tilt speed</b>	0.1° ~ 240°/s
	Preset speed: 400°/s
<b>Number of presets</b>	1024
<b>Patrol</b>	Preset patrol, route patrol, recorded patrol

<b>Home position</b>	Supported
<b>INTERFACE</b>	
<b>Audio I/O</b>	Audio cable
	1 Input: impedance 35kΩ; amplitude 2V [p-p]
	1 Output: impedance 600Ω; amplitude 2V [p-p]
<b>Alarm I/O</b>	2/1
<b>Serial port</b>	1 RS485
<b>Network</b>	1 RJ45 10M/100M Base-TX Ethernet
<b>Video output</b>	1 BNC, impedance 75Ω; amplitude 1V [p-p]
<b>GENERAL</b>	
<b>Power</b>	AC 24V±25%, DC 24V±25%, PoE (IEEE 802.3at)
	Power consumption: 8 ~ 20W
<b>Dimensions (Ø x H)</b>	Ø195 x 263mm (Ø7.7" x 10.4")
<b>Weight</b>	3.5kg (7.7lb)
<b>Working environment</b>	-20°C ~ 50°C (-4°F ~ 122°F), Humidity: ≤95% RH (non-condensing)
<b>Vandal resistant</b>	IK10

## Dimensions



### ScanViS Limited

611 East Wing, No.8 Science Park West Avenue, Hong Kong Science Park, Tai Po, Hong Kong

[sales@scanvis-ai.com](mailto:sales@scanvis-ai.com) | [www.scanvis-ai.com](http://www.scanvis-ai.com)

©2019 ScanViS Ltd. All rights reserved. \*Product specifications and availability are subject to change without notice.