

# PUNTO HI-POE

TECHNOPOLYMER HOUSING FOR IP CAMERA



PUNTO HI-POE + WBOVA2



PUNTO HI-POE + CAMERA

## DESCRIPTION

The PUNTO Hi-PoE housing exploits the PoE and Hi-PoE technology in an optimal way, using the power provided by the Ethernet cable as the sole source of electricity to power the network camera along with heating/demisting. PUNTO Hi-PoE provides high reliability and flexibility of the network installation and simplifies installation operations with important cost reduction. PUNTO Hi-PoE can be configured via a dip switch according to the PoE or Hi-PoE standards depending to the system requirements. Very easy to install thanks to the side-opening system that allows the full access to the camera, lenses and all internal connections. The front is designed to offer protection from sunlight and atmospheric agents.

## MAIN FEATURES

- PoE/Hi-PoE to power heater & network camera
- Category 5e shielded power cable
- Compatible with IEEE 802.3af, IEEE 802.3at/PoE Plus
- Special cable gland for a fast Ethernet connection/disconnection without cutting the RJ45 connector
- Side opening, easy camera servicing
- Pre-arranged for internal cable management bracket
- IP66

## TECHNICAL DATA

### GENERAL

Made of strong technopolymer, RAL9002 colour  
Stainless steel external screws

### MECHANICAL

Cable glands: 1xM20  
Glass window (WxH): 60/95x63mm (2.4/3.7x2.5in)  
Internal usable area (WxH): 70x70mm (2.7x2.7in)  
Internal usable length: 250mm (9.8in)  
Unit weight: 0.8kg (1.8lb)

### ELECTRICAL

Power absorbed in input/Available power for camera (selectable with dip-switch)

- PoE input Class 3 (13W): PoE camera Class 2 (7W)
- Hi-PoE input Class 4 (25W): PoE camera Class 3 (13W)

Data line: 10/100Base-T

Heater

- PoE input Class 3: 3W, Ton 15°C±3°C (59°F±5°F), Toff 22°C±3°C (72°F±5°F)
- Hi-PoE input Class 4: 7W, Ton 15°C±3°C (59°F±5°F), Toff 22°C±3°C (72°F±5°F)

Demisting: 1W

Compatible with IEEE 802.3af, IEEE 802.3at/PoE Plus

### ENVIRONMENT

For indoors and outdoors installation

Operating temperature with heating: From -20°C (-4°F) up to +60°C (140°F)

Chemical agents resistance

- High resistance: basics, alcohols, gas, hydrocarbon
- Good resistance: Organic acids, inorganic acids, oils
- Low resistance: Solvents

Relative humidity: from 5% up to 95%

### CERTIFICATIONS

Electrical safety (CE): EN60950-1

Electromagnetic compatibility (CE): EN50130-4, EN61000-6-3

Outdoor installation (CE): EN60950-22, IEC 60950-22

IP protection degree (EN60529): IP66

UL certification: cULus Listed, TYPE 4X

EAC certification

## ACCESSORIES

OHEPOWINJ	Hi-PoE Power Injector, 1 channel, for indoor installations
OWBIP3	Sealing rings kit (1xM12 - 1xM16 - 1xM20) IP66 for WBOVA2 and WCM4A2 brackets for VERSO Hi-PoE IPM and HOV Hi-PoE IPM housings
OSUPPIR	Support for 1 GEKO IRH illuminator under the housing (the combination between OSUPPIR and WBOVA2 wall mount is not compatible with the PUNTO housing)

## BRACKETS AND ADAPTORS

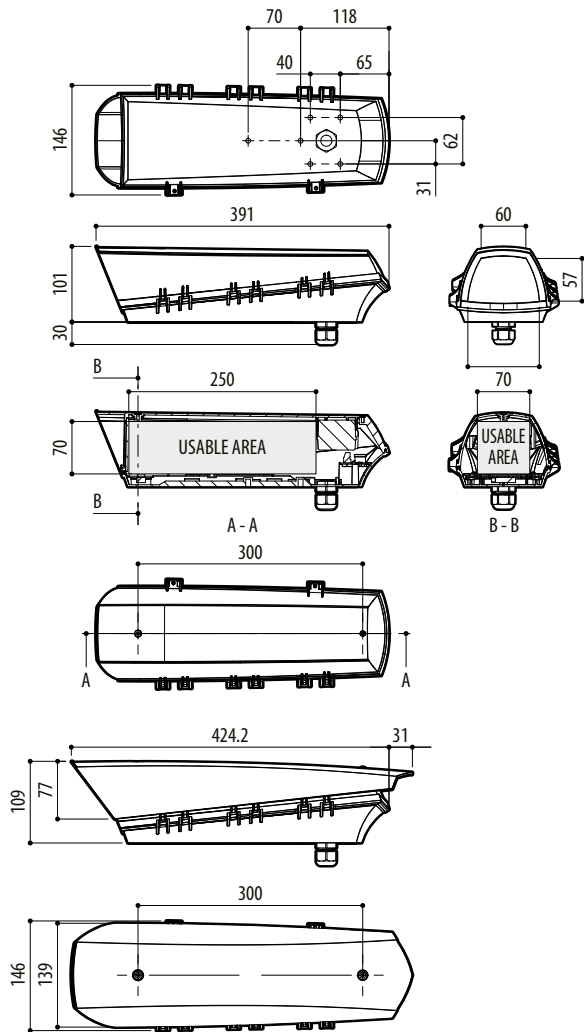
WBJA	Wall mount bracket
WBOVA2	Wall bracket with internal cable channel
WBOV3A2	Wall bracket with internal cable channel, counterplate and support box, not compatible with OHEBVF1, OHEBVF2 and OHEBVF3
WCM3A	Ceiling bracket with ball joint
WCM5A	Ceiling bracket with ball joint
WCM4A2	Ceiling bracket with internal cable channel
WCPMA	Linear extension for WCM4A2 and WCM5A
WFWCA	Column bracket with joint
DBHWGC	Pole adapter Ø 210mm, max 225mm (8.2in, max 8.9in). To be combined with the reinforcing support plate WCPA.
WCWA	Corner mount adaptor
WSFPA	Pole mount adaptor
WCPA	Reinforcing support plate for poor consistency walls
NXWTU	Wall adaptor module in stainless steel AISI 316L

## PACKAGE

Model Number	Weight	Dimensions (WxHxL)	Master carton
HOT39K2A700	1kg (2.2lb)	41.5x11.5x16.5cm (16x4.5x6.5in)	12

# TECHNICAL DRAWINGS

The indicated measurements are expressed in millimetres.



PUNTO HI-POE