

IPC521-H120-W

2.0MP 20x Vehicle Wi-Fi PTZ Camera

KEDACOM



Features

Excellent Image Quality

- 2.0 Megapixel 1/2.8" progressive scan CMOS Sensor
- High definition and smooth picture, 1080p@60fps
- H.265 video codec, saves up to 50% bandwidth and storage
- Ultra low illumination, 0.003lux with color picture
- IR automatically adjusts
- 120dB Ultra WDR
- 3D noise reduction / HLC / BLC

Long Operation Lifespan

- Industrial components, withstands operational temperatures between -40°C ~ 70°C
- IP66, TVS 6000V lightning protection, surge protection and voltage transient protection

Large Scale

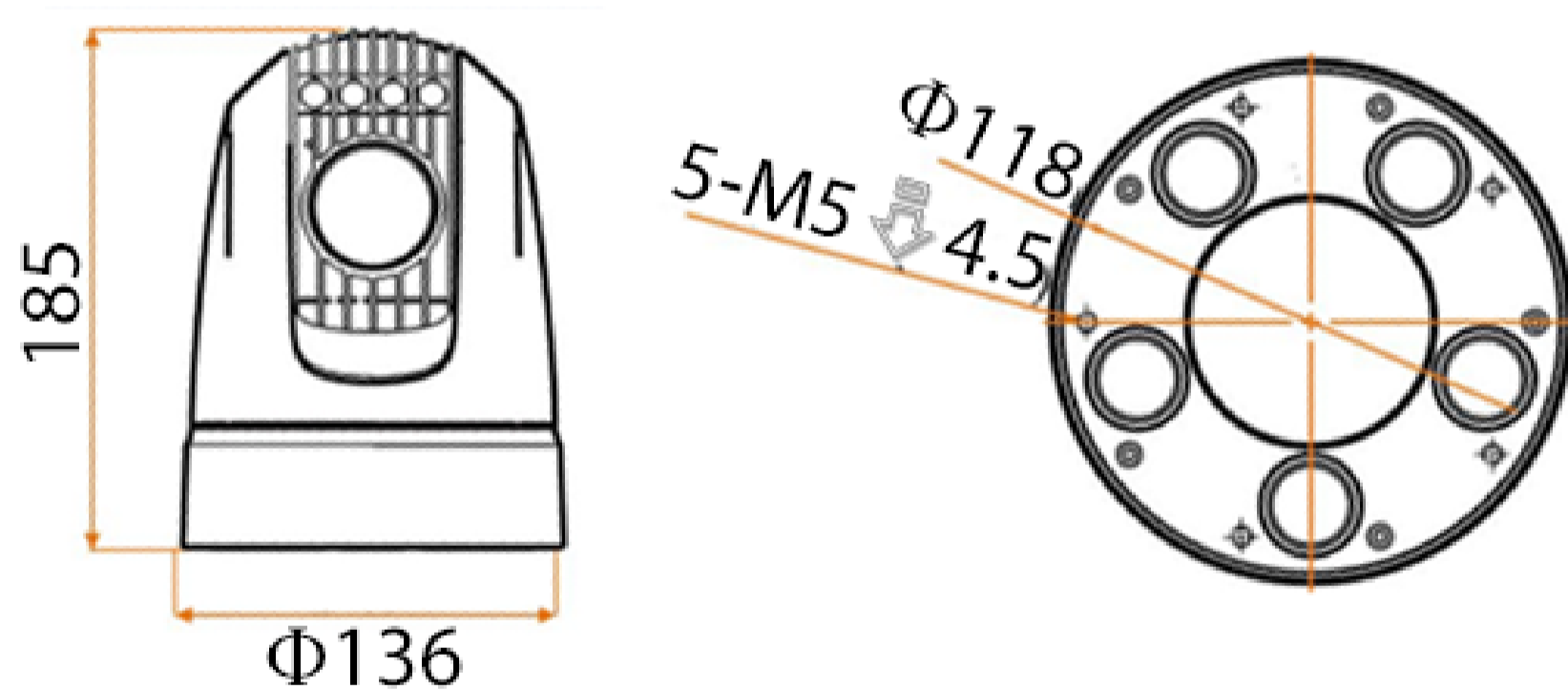
- 20x optical zoom
- IR distance up to 60m

Abundant Functions and Features

- Built-in super magnet
- Wi-Fi supported - Up to 8 hours continuous working with battery
- Vehicle based PT structure

Dimensions

Unit: mm



Specifications

| Model | IPC521-H120-W |
|-------------------------|--|
| Camera | |
| Image Sensor | 1/2.8" progressive scan CMOS |
| Pixels | 2.0 Megapixel |
| Min. Illumination | Color: 0.003lux @ (F1.6, AGC ON) B/W: 0.0003lux @ (F1.6, AGC ON); 0lux with IR |
| Shutter Speed | 1 ~ 1/30,000s |
| Day / Night | Auto (ICR) / Color / B/W |
| Wide Dynamic Range | Ultra WDR, 120dB |
| S/N Ratio | >50dB |
| White Balance | Auto / Manual |
| Gain Control | Auto / Manual |
| Backlight Compensation | Off / WDR / BLC / HLC |
| Lens | |
| Focal Length | 4.7 ~ 94mm, 20x optical |
| Zoom Speed | Approx. 3s (Optical) |
| Angle of View | 54.1° ~ 2.9° (Wide~Tele) |
| Minimum Object Distance | 300 ~ 1500mm (Wide~Tele) |
| Max. Aperture Ratio | F1.6 (Wide) / F3.5 (Tele) |
| Focus Control | Auto / Manual / Semi-Automatic |
| Infrared | |
| IR LED | 4 pcs IR LED Array |
| IR Distance | 40 ~ 60m |
| IR Intensity | Automatically adjust according to zoom ratio |
| Pan and Tilt | |
| Pan / Tilt Range | 360° Endless / -15° ~ 90° (Auto Flip) |
| Pan / Tilt Speed | Pan manual speed: 0.1° ~ 30°/s; Pan preset speed: 40°/s Tilt manual speed: 0.1° ~ 30°/s; Tilt preset speed: 40°/s |
| Proportional Zoom | Pan / Tilt speed can be adjusted automatically according to zoom multiples |
| Preset | 256 |
| Patrol | 8 Patrols scheme, up to 32 presets per patrol |
| Pattern Scan | 4 Scan paths, each path can record 10 minutes of operation path |
| Power-off Memory | Power-off memory / Power-on recovery |
| Auto Guard | Path / Preset / Mixed / Pan scan / Tilt scan / Frame scan / Random scan / Panorama scan |
| PT Limit | Manual / Scan / Pan |
| 3D Positioning | PTZ control with mouse click and drag |
| Video | |
| Compression | H.265 / H.264 / MJPEG |
| Image Resolution | Main stream: 1080p Secondary stream: D1 |
| Frame Rate | Main stream: 1080p@60fps Secondary stream: D1@30fps |
| Bitrate | 32kbps ~ 16Mbps |
| Bitrate Control | VBR / CBR |
| Multi-stream | Supported |
| Caption | Date and time / Alarm / Direction / Customized |
| Privacy Masking | Up to 4 zones |
| Motion Detection | Up to 4 zones |
| Video Freeze | Supported |
| ROI | Supported |
| Digital Noise Reduction | 3D noise reduction |
| Digital Defog | Supported |
| Image Flip | Flip / Mirror |
| Network | |
| Network Protocols | TCP/IP, UDP, HTTP, DHCP, DNS/DDNS, RTP/RTCP, RTSP, PPPoE, FTP, VSIP, UPnP, 802.1x, NAT, QoS, SMTP, IPv4, IPv6 (optional) |
| User Interface | IPC Control (IE, Firefox, Chrome) |
| Max. User Access | Max. 10 users (include 2 internal) |
| Application Programming | ONVIF (Profile S, Profile G), GB/T 28181-2011, API, CGI |
| Alarm | |
| Alarm Triggers | Network disconnect |
| Alarm Events | Alarm report / Text overlay / Email notice |
| Interfaces | |
| Ethernet | 10/100M, RJ45 interface |
| Wi-Fi | Built-in Wi-Fi module |
| Environmental | |
| Operating Temperature | Power supplied by built-in battery: -20°C ~ 60°C / -4°F ~ 140°F Power supplied by DC: -40°C ~ 70°C / -40°F ~ 158°F |
| Operating Humidity | 10% ~ 95% |
| Protection Level | IP66, TVS 6000V lightning protection, surge protection and voltage transient protection |
| Electrical | |
| Power | Built-in 10000mAh rechargeable lithium battery Up to 8 hours continuous working with battery 12V DC ± 10% |
| Power Consumption | Max. 60W (IR on) |
| Mechanical | |
| Magnet | Built-in super magnet |
| Weight | 2.5kg / 5.51lb (Gross Weight) |
| Dimensions | Φ136 × 185mm / Φ5.35" × 7.29" |

IR BULLET CAMERA

BOX CAMERA

SEMI-DOME CAMERA

SPEED DOME CAMERA

IR SPEED DOME CAMERA

PTZ CAMERA

TRACKING SYSTEM

NETWORK VIDEO RECORDER

VIDEO MANAGEMENT SYSTEM

IP SAN

ENCODER & DECODER

MOBILE SOLUTIONS