

IPC2211-FN-SIR

2.0MP Starlight & Ultra WDR HD Network IR Semi Dome



Features

Excellent Image Quality

- 2.0 Megapixel 1/2.8" progressive scan CMOS sensor
- High definition and smooth picture, 1080p@30fps
- H.265 video codec, saves up to 50% bandwidth and storage
- Ultra low illumination, 0.002lux with color picture
- 120dB Ultra WDR
- 3D noise reduction / Auto Iris / HLC

Intelligent Functions

- Motion detection / Tampering / Guard line / Defocus / Scene change / Enter guard area / Exit guard area / Object left / Object removal / Gathering / Audio surge

Integrated High Efficiency IR

- Industrial IR LED with long operational lifespan
- 40m IR distance
- Smart IR function

A Variety of Installation Modes

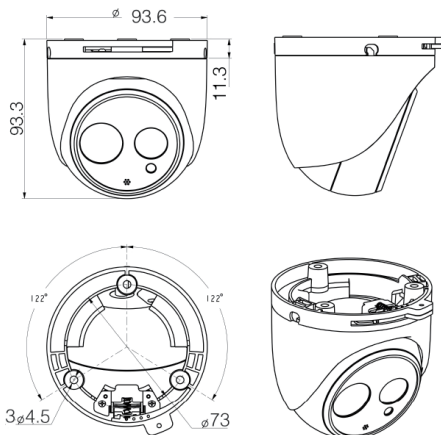
Supports 90°, 180°, 270° image rotation

Abundant Functions and Features

- Micro SD card slot, supports Automatic Network Replenishment (ANR)
- Bi-directional audio / Built-in Mic / alarm in and out / video out / RS485
- 2 channel audio input simultaneously
- Dual-stream (1080p + D1)
- Anti-fog glass
- PoE
- IP66/IP66

Dimensions

Units:mm



Specifications

IPC2211-FN-SIR	
Camera	
Image Sensor	1/2.8" progressive scan CMOS
Pixels	2.0 Megapixel
Min. Illumination	Color: 0.002lux @ (F1.6, AGC ON) B/W: 0.0002lux @ (F1.6, AGC ON);
Shutter Speed	1 ~ 1/30,000s
Day / Night	Auto (ICR) / Color / B/W
Wide Dynamic Range	Ultra WDR, >=120dB
S/N Ratio	>50dB
White Balance	Auto / Manual
Gain Control	Auto / Manual
Backlight Compensation	Off / WDR / BLC / HLC
Lens	
Mount Type	M12
Focal Length	2.8mm (-L0280) / 3.6mm (-L0360) / 6mm (-L0600) / 8mm (-L0800)
Angle of View	101.2° (-L0280) / 78.6° (-L0360) / 53.2° (-L0600) / 36.8° (-L0800)
Adjustment Range	Pan: 0° ~ 360° / Tilt: 0° ~ 85° / Rotation: 0° ~ 360°
Infrared	
IR Distance	40m
IR Intensity	Smart IR
Video	
Compression	H.265 / H.264 / MJPEG
Image Resolution	Main stream: 1080p Secondary stream: D1
Frame Rate	Main stream: 1080p@30fps Secondary stream: D1@30fps
Bitrate	64kbps ~ 16Mbps
Bitrate Control	VBR / CBR
Dual-stream	Supported
Caption	Date and time / Alarm / Customized
Privacy Masking	Up to 4 zones
Motion Detection	Up to 4 zones
ROI	Supported
Digital Noise Reduction	3D noise reduction
Digital Defog	Supported
Image Flip	Flip / Mirror / Rotation 90°, 180°, 270°
Audio	
Compression	G.711a / G.711u / ADPCM / G.722 / AAC-LC
Bitrate	32kbps ~ 64kbps
Audio Function	Bi-directional audio / AEC / Mixed audio recording / Dumb / Mute
Network	
Network Protocols	TCP/IP, UDP, HTTP, DHCP, DNS/DDNS, RTP/RTCP, RTSP, PPPoE, FTP, VSIP, UPnP, 802.1x, NAT, QoS, SMTP, IPv4, IPv6 (optional)
User Interface	IPC Control (IE, Firefox, Chrome)
Max. User Access	Max. 10 Users (includes 2 internal)
Application Programming	ONVIF (Profile S, Profile G), GB/T 28181-2011, API, CGI
Automatic Network Replenishment (ANR)	Supported
Alarm	
Alarm Triggers	Alarm input / Network disconnect / Disk full / Disk error
Intelligent	Motion detection / Tampering / Guard line / Defocus / Scene change / Enter guard area / Exit guard area / Object left / Object removal / Gathering / Audio surge
Alarm Events	Alarm report / Recording / Text overlay / Snapshot / External output / Email notice / Acoustic alarm
Interfaces	
Ethernet	10/100M, RJ45 interface
Audio In / Out	2 x Line in / 1 x Line out / 1 x Built-in Mic
Control	1 x RS485
Alarm In / Out	1 x Input / 1 x Output
Video Out	1 x BNC, 1.0V [p-p] / 75Ω
Memory Slot	Micro SD card slot, supports up to 128GB
Environmental	
Operating Temperature	-40°C ~ 60°C / -40°F ~ 140°F
Operating Humidity	10% ~ 95%
Protection level	IK10 (optional), IP66
Electrical	
Power	12V DC ± 10% / PoE (IEEE802.3af)
Power Consumption	Max. 11W
Mechanical	
Weight	1 kg / 2.2lb (Gross Weight)
Dimensions	Ø93.6 × 93.3mm / Ø3.69" × 3.68"