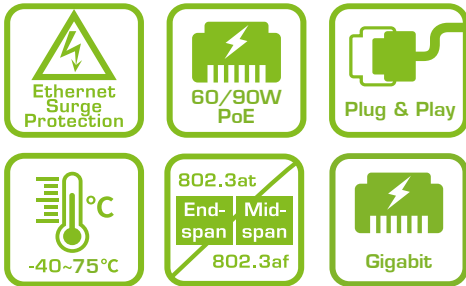


I69 series

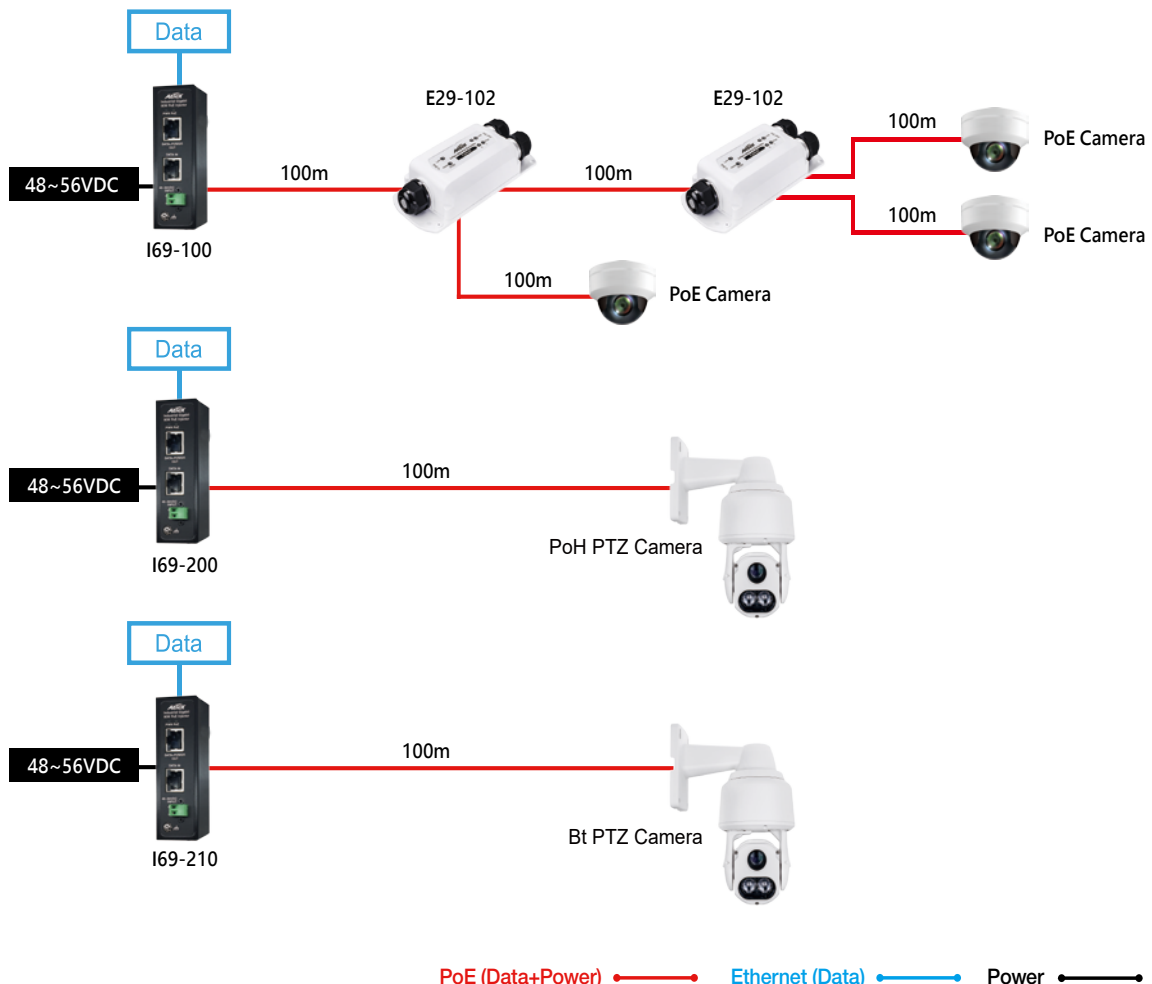
Industrial Gigabit 95W PoE Injector



Features

- Provides 95W of PoE Power Feeding on 4-pairs
- 6KV PoE surge protection
- Remote power feeding up to 100m
- IEEE 802.3 at compliant
- Automatic detection and protection of non-standard Ethernet terminals
- Supports 10/100/1000Base-T LAN environment
- Safe and reliable power to PoE cameras or WLAN access points
- Plug-and-Play installation


Applications



Technical Specifications




	I69-100	I69-200	I69-210
Networking Specifications			
Gigabit Ethernet 10/100/1000Mbps (RJ45)	1	1	1
IEEE 802.3at Power over Ethernet	Support	Support	Support
95W UPoE	Support	-	-
95W PoH	-	Support	-
90W Bt	-	-	Support
Power Specifications			
Input Voltage	48~56VDC	48~56VDC	48~56VDC
Output Power	Max. 95W	Max. 95W	Max. 90W
Power Pin Assignment	1/2 (+), 3/6 (-); 4/5 (+), 7/8 (-)	1/2 (-), 3/6 (+); 4/5 (+), 7/8 (-)	1/2 (-), 3/6 (+); 4/5 (+), 7/8 (-)
Surge Protection Data / PoE Port	6KV	6KV	6KV
Mechanical Specifications			
Dimensions (WxHxD)	94 X 60 X 28 mm	94 X 60 X 28 mm	94 X 60 X 28 mm
LED Indicators	Power, PoE	Power, PoE	Power, PoE
Weight	0.2 kg (0.44 lb)	0.2 kg (0.44 lb)	0.2 kg (0.44 lb)
Installation	Din-Rail	Din-Rail	Din-Rail
Environmental Specifications			
Operating Temperature	-40°C ~ 75°C (-40°F ~ 167°F)	-40°C ~ 75°C (-40°F ~ 167°F)	-40°C ~ 75°C (-40°F ~ 167°F)
Storage Temperature	-40°C ~ 85°C (-40°F ~ 185°F)	-40°C ~ 85°C (-40°F ~ 185°F)	-40°C ~ 85°C (-40°F ~ 185°F)
Operating Humidity	10% to 90% non-condensing	10% to 90% non-condensing	10% to 90% non-condensing
Certifications			
EMC	CE, FCC, VCCI, C-Tick	CE, FCC, VCCI, C-Tick	CE, FCC, VCCI, C-Tick
Surge	IEC/EN 61000-4-5 Ed.2014+A1:2017	IEC/EN 61000-4-5 Ed.2014+A1:2017	IEC/EN 61000-4-5 Ed.2014+A1:2017

Optional Accessories



NDR-120-48
Indoor Industrial Din-Rail Power
Supply, 48~55VDC/120W,
-20°C ~ 70°C

Ordering Information

Industrial PoE Injectors				
	I69-100 <ul style="list-style-type: none"> Industrial GbE 95W PoE Injector 48~56VDC Input 		I69-200 <ul style="list-style-type: none"> Industrial GbE 95W PoH PoE Injector 48~56VDC Input 	
	I69-210 <ul style="list-style-type: none"> Industrial GbE 90W Bt PoE Injector 48~56VDC Input 			