

HEK

ALUMINIUM AND THERMOPLASTIC CAMERA HOUSING



IP66

IP67



HEK + WBMA



HEK + WBOVA2

DESCRIPTION

Robust housing with tamper-proof features, designed for containing cameras with fixed lenses and compact zooms.

The frontal opening system allows an easy access to the camera and all internal connections.

A wide range of accessories for mounting the equipment is available thereby satisfying all installation needs.

MAIN FEATURES

IP66/IP67 (with cable glands or optional sealing rings)

Pre-arranged for internal cable management bracket

Slide-extractable body with hinged system

Heater and camera power supply included

TECHNICAL DATA

GENERAL

Resistant technopolymer front and back cover, RAL7030
Extruded aluminium body and external slide
Epoxy polyester powder painting, RAL9002 colour
Stainless steel external screws
Supplied with instruction manual, desiccant bag, accessories for camera and lens mounting

MECHANICAL

Cable glands: 3xM16
PMMA window (WxH): Ø 72mm (2.8in)
Internal usable area (WxH): 82x62mm (3.2x2.4in)
Internal usable length (without accessories): 300mm (11.8in)
Internal usable length (with heater and/or power supply): 235mm (9.2in)
Internal usable length (with heater and/or blower): 235mm (9.2in)
Unit weight: 2.2kg (4.8lb)

ELECTRICAL

Heater (Ton 15°C±3°C (59°F±5°F), Toff 22°C±3°C (72°F±5°F))

- Power supply/Consumption: IN 12Vdc/24Vac, 20W max
- Power supply/Consumption: IN 120/230Vac, 40W max

Blower with thermostat and air filter, Ton 35°C±3°C (95°F±5°F) Toff 20°C±3°C (71°F±5°F) and back cover

- IN 12Vdc, consumption 4W max
- IN 24Vac, consumption 4W max

Camera power supply

- IN 100-240Vac, 50/60Hz - OUT 12Vdc, 1.25A
- IN 230Vac, 50Hz - OUT 24Vac, 50Hz, 400mA

ENVIRONMENT

For indoors and outdoors installation
Operating temperature with heating: from -20°C (-4°F) up to +60°C (140°F)
Relative humidity: from 5% up to 95%

CERTIFICATIONS

Electrical safety (CE): EN60065
Electromagnetic compatibility (CE): EN50130-4, EN61000-6-3
IP protection degree: EN60529

- IP66/IP67 (with cable glands)
- IP66/IP67 (with bracket with internal cable channel, with sealing rings)
- IP55 (with bracket with internal cable channel)

EAC certification

ACCESSORIES

OHEH02B	Heater 120/230Vac for HEB, HEK housings
OHEH01B	Heater 12Vdc/24Vac for HEB, HEK housings
OHEPS10B	Wide range camera power supply IN 100-240Vac - OUT 12Vdc, 1.25A, for HEK housing
OHEPS11B	Camera power supply IN 230Vac - OUT 24Vac, 10VA, for HEK housing
OWBIP2	Sealing rings kit (3xM16) IP66 for WBOVA2 and WCM4A2 brackets for PUNTO, HOV, HTV, VERSO, VERSO POLAR, VERSO COMPACT, HEB, HEK housings
OHEGBB	Weatherproof junction box
OSUPPIR	Support for 1 GEKO IRH illuminator under the housing (the combination between OSUPPIR and WBOVA2 wall mount is not compatible with the PUNTO housing)

RELATED PRODUCTS

PTH300	Horizontal/vertical Pan & Tilt
--------	--------------------------------

BRACKETS AND ADAPTORS

WBMA	Wall bracket with ball joint
WBOVA2	Wall bracket with internal cable channel
WBOV3A2	Wall bracket with internal cable channel, counterplate and support box, not compatible with OHEBVF1, OHEBVF2 and OHEBVF3
WCM3A	Ceiling bracket with ball joint
WCM5A	Ceiling bracket with ball joint
WCM4A2	Ceiling bracket with internal cable channel
WCPA	Linear extension for WCM4A2 and WCM5A
WFWCA	Column bracket with joint
DBHWGC	Pole adapter Ø 210mm, max 225mm (8.2in, max 8.9in). To be combined with the reinforcing support plate WCPA.
WCWA	Corner mount adaptor
WSFPA	Pole mount adaptor
WCPA	Reinforcing support plate for poor consistency walls
NXWTU	Wall adaptor module in stainless steel AISI 316L

SPARE PARTS

OHEKS30A000	Sunshield HEK30
DOTHE02	Spacers for camera and lens
OHEKMAN	Cable glands, gaskets and screws
OHEKFA06	Front cover RAL7030 with glass, screws and gaskets
OHEKFP06	Back cover RAL7030 with cable glands, gaskets and screws

PACKAGE

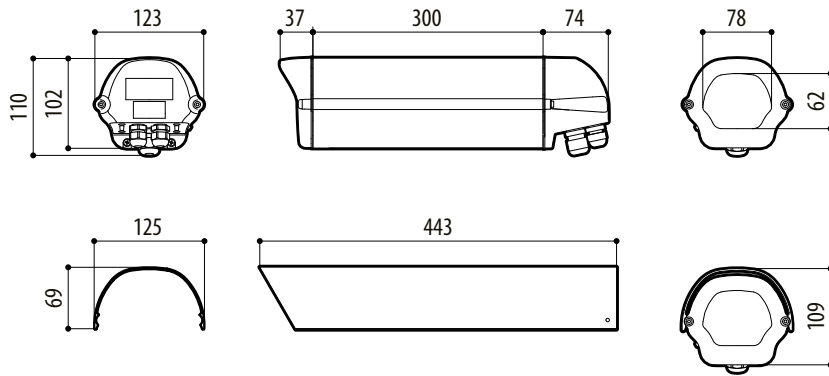
Model Number	Weight	Dimensions (WxHxL)	Master carton
HEK30K1Y000B	2.4kg (5.3lb)	14x15x46cm (5.5x6x18in)	10

AVAILABLE MODELS

Model Number	Sunshield	Heater 120/230Vac	Heater 12Vdc/24Vac	Max consumption
HEK30K1Y000B	√	√	-	40W
HEK30K2Y000B	√	-	√	20W

TECHNICAL DRAWINGS

The indicated measurements are expressed in millimetres.



HEK