

# Evolution 180 180° Indoor Camera

The next step in panoramic situational awareness

## 12MP Sensor with 6MP Dewarped Panoramic+ View

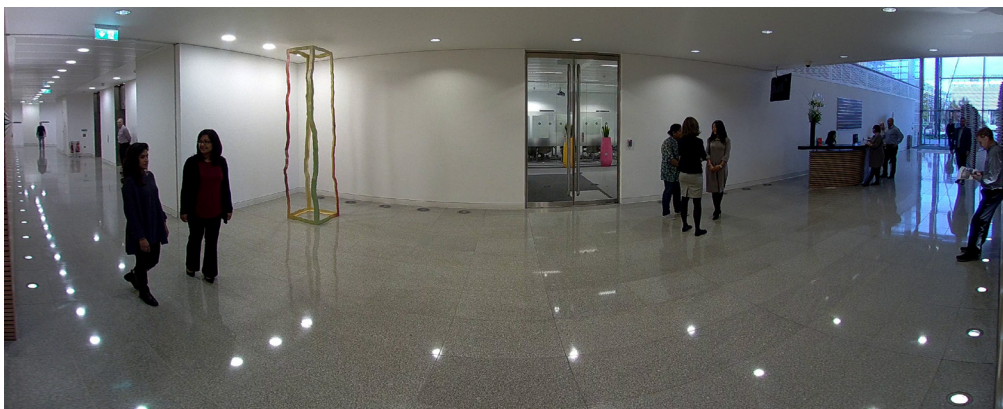
- Seamless panoramic surveillance with no blind spots
- 12MP high-resolution sensor
- True Day / Night with IR cut filter
- Up to 30 fps at 2.0 MP
- PoE or 12 VDC powered
- 3-year warranty

## Advanced features

- Built-in 3D dewarped panoramic video
- Panoramic+ Views
- Oncam Angle Compensation Technology (ACT)
- Scene Offset Angle Control
- Configurable privacy regions
- Polygonal video motion detection regions
- Local alarm digital input and output
- External microphone input
- Local MicroSD card slot for event recording

## Compact and Versatile design

- Multiple interior mount options
- Clean and simple design
- Quick and easy installation
- Convenient wall-mounting enclosure
- Mounting boxes included for multiple mounting angles: 0°, 25° and 45°
- Mounting boxes allow for conduit pendant mounting
- Black or white models available



# Evolution 180

## 180° Indoor Camera

The next step in panoramic situational awareness

MODEL	36748-101 (WHITE)	36748-102 (BLACK)
<b>GENERAL</b>		
Lens Field of View	187° horizontal, 74° vertical (Panoramic Stream) 187° horizontal, 162° vertical (Fisheye Stream)	
Image Sensor	4072 H x 3046 V, 12.4 MP 1/2.3 in. Sony CMOS Sensor	
Lens	187° / F2.4	
Day/Night IR Cut Filter	Automatic, Manual, External and Alarm Control	
Minimum Illumination	0.1 lux	
Frame Rate	Up to 30 fps Up to 14 fps at max resolution Panoramic Stream	
Video Motion Detection	8 configurable polygon regions	
External Alarm	1x contact input, 1x contact output	
External IR Filter Control	1x contact input	
Audio Connections	Audio in through 12-pin I/O connector, RTSP using G711 codec and ONVIF Profile S	
Audio Input Level	Mic input level range, approximately 5 mV to 50 mV	
Advanced Event Management	Configurable triggers: motion regions, external contact input, network down and HTTP GET. Configurable actions: external contact output, SMTP frame upload, local recording, LED, IR filter controls	
Networking	TCP/IP, HTTP, DHCP, DNS, NTP, SMTP, RTSP, UPnP and WS-Discovery	
Privacy	10 configurable privacy regions	
Local Recording	Event based with configurable pre and post recording (ONVIF Profile G not supported)	
SD Card	Built-in MicroSD card slot. Supports cards up to 256GB capacity. Speed class 10 or higher.	
White Balance Range	Auto White Balance (Range = approx. 2500 K - 8000 K)	
<b>VIDEO</b>		
Panoramic Stream 1 & 2	180° 3D Dewarped Panoramic Stream H.264 at: Up to 14 fps: 5.90 MP (3840x1536), 4.52 MP (3360x1344), 2.62 MP (2560x1024), 1.47 MP (1920x768). Up to 30 fps: 0.66 MP (1280x512), 0.26 MP (800x320).	
Fisheye Stream 1	360° Fisheye Stream H.264 at: Up to 11 fps: 10.1 MP (3360 x 3000). Up to 14 fps: 6.45 MP (2688 x 2400), 4.48 MP (2240 x 2000). Up to 30 fps: 2.20 MP (1568 x 1400)	
Fisheye Stream 2	360° Fisheye Stream H.264 at up to 30 fps: 0.40 MP (672x600)	
Fisheye Stream 3	360° Fisheye Stream MJPEG at up to 30 fps 0.40 MP (672x600)	
VCam Stream 1, 2, 3, 4	Up to 4 independent onboard 3D Dewarped Vcams H264 at: Up to 30 fps 1.00 MP (1280x720), 0.31 MP (640x480). VCam Streams 1 & 2 are replaced by Panoramic Streams 1 & 2, if those are enabled.	
Multi-Stream Limitations	Not all stream combinations are permitted. Fisheye Stream 2 cannot be enabled when using Panoramic or VCam Streams. Enabling multiple streams simultaneously may reduce frame rates.	
Image Control	Settings include brightness / contrast / saturation / exposure compensation, compression quality and wall / ceiling / table mount Manipulation of wall mount and scene angles to ensure a level horizon	
Image Enhancement	Electronic WDR 60 dB	
VMS / NVR Support	ONVIF Profile S Conformant – Contact Oncam Sales for an up-to-date VMS compatibility list	
Web Browser Compatibility	Internet Explorer 11 with VLC plug-in required for full functionality.	
Unicast	Up to 20 simultaneous users depending on the resolution settings	
Multicast	Supported for H.264 main fisheye camera stream	
Bit Rate Control	Options include Constant Bit Rate Control and Fixed Quality Control	

# Evolution 180

## 180° Indoor Camera

The next step in panoramic situational awareness

### ELECTRICAL

Ports	RJ45 1000Base-TX PoE 12-pin I/O connector: 12 VDC input (optional), Audio in, Alarm in & out, External IR Filter Control in
Power Input	Power over Ethernet (PoE), IEEE standard 802.3af 12 VDC, 1.0 A (min) LPS, NEC Class 2 power supply.
Power Consumption (maximum)	7.20 W (PoE 48 VDC) / 6.96 W (DC 12 VDC)

### MECHANICAL

Camera Mount	Surface and Pendant
Weight	0.55 kg (1.21 lbs)
Dimensions (L x W x H)	163 x 57 x 94mm (6.4 x 2.2 x 3.7in.)
Housing Material	Aluminum and Polymer

### ENVIRONMENTAL

Operating Temperature Range	0 to + 40°C (-32 to +104°F)
Operating Humidity	Up to 95% non-condensing

### CERTIFICATIONS

Approvals	IEEE802.3af, CE, AS/NZS CISPR 32:2015, CISPR 24:2010 (Class A) FCC, ICES-003, UL 60950-1(ed.2), CAN/CSA C22.2 No. 60950-1-07, EN 50130-4:2011, RoHS, REACH
-----------	--

### SUPPLIED ACCESSORIES

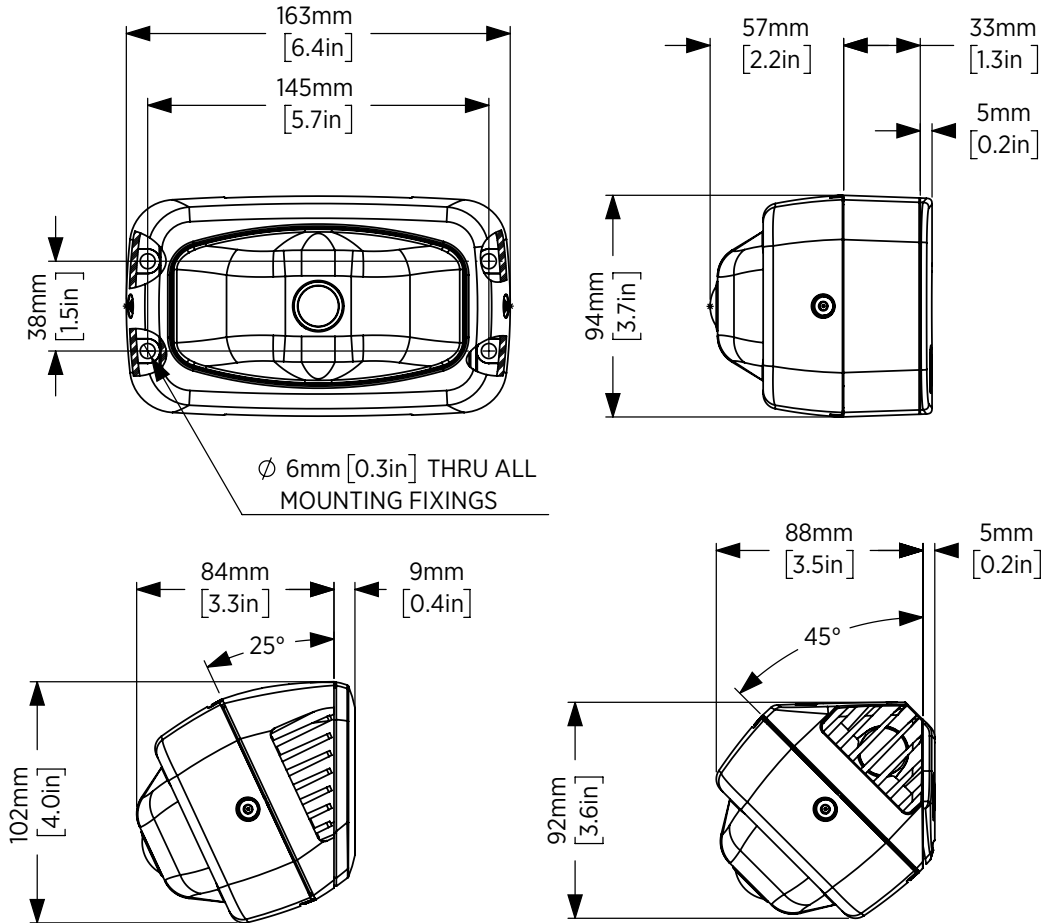
0° MOUNTING BOX	25° MOUNTING BOX	45° MOUNTING BOX
		

# Evolution 180

## 180° Indoor Camera

The next step in panoramic situational awareness

### DIMENSIONS



© Copyright 2018 Oncam Global Group AG. All rights reserved.

Oncam Grandeye is the trade name of Oncam Global Group AG. Specifications and configurations subject to change without notice.

North America ..... 1 800 563 5564  
 Latin America ..... +5255 5259 9511  
 Europe ..... +39 0362 17935  
 Asia ..... +65 6818 0963  
 Australia and New Zealand ..... +61 1300 089 419  
 Middle East and Africa ..... +971 4 399 5525

© 2018 March Networks. All rights reserved. Information in this document is subject to change without notice. MARCH NETWORKS, March Networks Command, March Networks Searchlight, March Networks RideSafe, and the MARCH NETWORKS logo are trademarks of March Networks Corporation. All other trademarks are the property of their respective owners. 060-3364-00-B  
[marchnetworks.com](http://marchnetworks.com)

