

Evolution 12 360° Indoor Camera

The next step in 360° total situational awareness

12 MP high-resolution sensor

- Constant 360° surveillance with no blind spots
- No moving parts, no maintenance and silent operation
- High quality images in low-light conditions
- 12 fps at 9.6 MP max resolution and up to 30 fps at 2.0 MP
- 0.1 lux minimum illumination
- PoE or 12 VDC powered
- 3-years warranty

Advanced features

- Local SD card slot for event recording
- Configurable privacy regions
- Region-based motion detection
- Local alarm digital input and output
- Audio microphone input

Multiple interior mount options

- Quick and easy installation
- Clean and simple design
- Convenient surface-mounting enclosure
- Range of accessories provide multiple mounting possibilities including ceiling, wall and pendant
- Enclosure available in black and white

ONVIF | S



34461-102 - Black

34461-101 - White

Recording and Playback

- Market leading OnCam Grandeye 3D dewarping software
- Full live and retrospective dewarping available
- Simultaneous multiple video streams
- Digital zoom capability through client-side dewarping
- H.264 / MJPEG streaming with multiple quality levels
- Optimizes bandwidth and storage utilization
- Intuitive web-based interface for viewing and configuration
- ONVIF profile S conformant

Evolution 12

360° Indoor Camera

The next step in 360° total situational awareness

MODEL	34461-101 (WHITE)	34461-102 (BLACK)
GENERAL		
Lens Field of View	180° Horizontal, 180° Vertical	
Image Sensor	4072 H x 3046 V, 12.4 MP (approximately), 1/2.3 in. Sony CMOS Sensor	
Lens	185° / F2.0	
Minimum Illumination	0.1 lux = 50 IRE F/2.0	
Frame Rate	12 fps typical at maximum resolution	
Video Motion Detection	8 configurable regions	
External Input	1x contact input	
External Output	1x contact output	
Security	Configurable password protection	
Advanced Event Management	Triggered by motion, external input or HTTP event, result configurable, external output, FTP/SMTP upload, Local recording	
Networking	TCP/IP, HTTP, DHCP, DNS, NTP, FTP, SMTP and RSTP	
Privacy	10 configurable privacy regions	
SD Card	Built-in SD card slot. Supports cards up to 128 GB capacity. Speed class 10 or higher required.	
Audio Connections	Audio In through 3.5 mm jack, RTSP using G711 codec and ONVIF S	
White Balance Range	Auto White Balance (Range = approx. 2500 K - 8000 K)	
VIDEO		
Video Stream 1 Codec	H.264 in 9.6 MP, 6 MP, 4 MP, 2 MP	
Video Stream 1 Compression Level	Multi-levels of compression and frame rate adjustment	
Video Stream 1 Pixel Resolution	Fisheyes at: 9.6 MP (3200 x 3000), 6 MP (2528 x 2376), 4 MP (2080 x 1960), 2 MP (1472 x 1384)	
Video Stream 2 Codec	H.264 in 4 MP, 2 MP, 1 MP and ¼ MP	
Video Stream 2 Compression Level	Multi-levels of compression and frame rate adjustment	
Video Stream 2 Pixel Resolution	Fisheyes at: 4 MP (2080 x 1960), 2 MP (1472 x 1384), 1 MP (1056 x 992), ¼ MP (544 x 512)	
Video Stream 3 Codec	MJPEG in 4 MP, 2 MP, 1 MP and ¼ MP	
Video Stream 3 Compression Level	Multi-levels of compression and frame rate adjustment	
Video Stream 3 Pixel Resolution	Fisheyes at: 2 MP (1472 x 1384), 1 MP (1056 x 992), ¼ MP (544 x 512)	
Maximum Frame Rate	30 fps	
Image Control	Settings: brightness / contrast / saturation / exposure compensation, compression quality and wall / ceiling / table mount	
Image Enhancement	Electronic WDR 60dB	
PTZ Functionality	Zoom with Oncam 3D client-side dewarping software	
Web Browser Compatibility	Internet Explorer 9, Edge 25, Firefox 23 and Chrome 29 or above. Plug-in required for full functionality	
Unicast	Up to 20 simultaneous users depending on the resolution settings	
Multicast	Supported for H.264 main camera stream	
Bit Rate Control	Options include Constant Bit Rate Control and Constant Quality Control	

Evolution 12

360° Indoor Camera

The next step in 360° total situational awareness

ELECTRICAL

Ports	RJ45 for 1000Base-TX 2.1 mm DC Input jack 6-pin 1.5 mm Phoenix for external I/O BNC for test video output
Network Cable Type	CAT5 or better for 1000Base-TX
Power Input	12 VDC, 1.0 A (min) LPS or NEC Class 2 power supply or Power over Ethernet (PoE), IEEE standard 802.3af
Power Consumption (maximum)	8.4 W (PoE 48 VDC) / 7.32 W (DC 12 VDC)

MECHANICAL

Camera Mount	Surface mount
Weight	0.72 kg (1.59 lbs)
Dimensions (L x W x H)	179 x 160 x 70 mm (7.1 x 6.3 x 2.8 in.)
Housing Material	Polymer



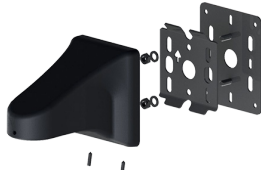
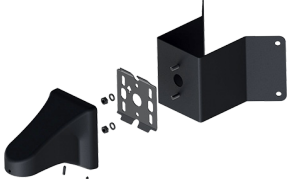
ENVIRONMENTAL

Operating Temperature Range	0 to +40°C (-32 to +104°F)
Operating Humidity	Up to 98% non-condensing
Ingress Protection	IP40

CERTIFICATIONS

Approvals	IEEE802.3af, CE, AS/NZS CISPR 22:2009+A1:2010, CISPR 24:2010 (Class A), FCC, ICES-003, KCC, CU, RCM, SASO UL 60950-1(ed.2) & CAN/CSA C22.2No. 60950-1-07, RoHS, REACH
-----------	---

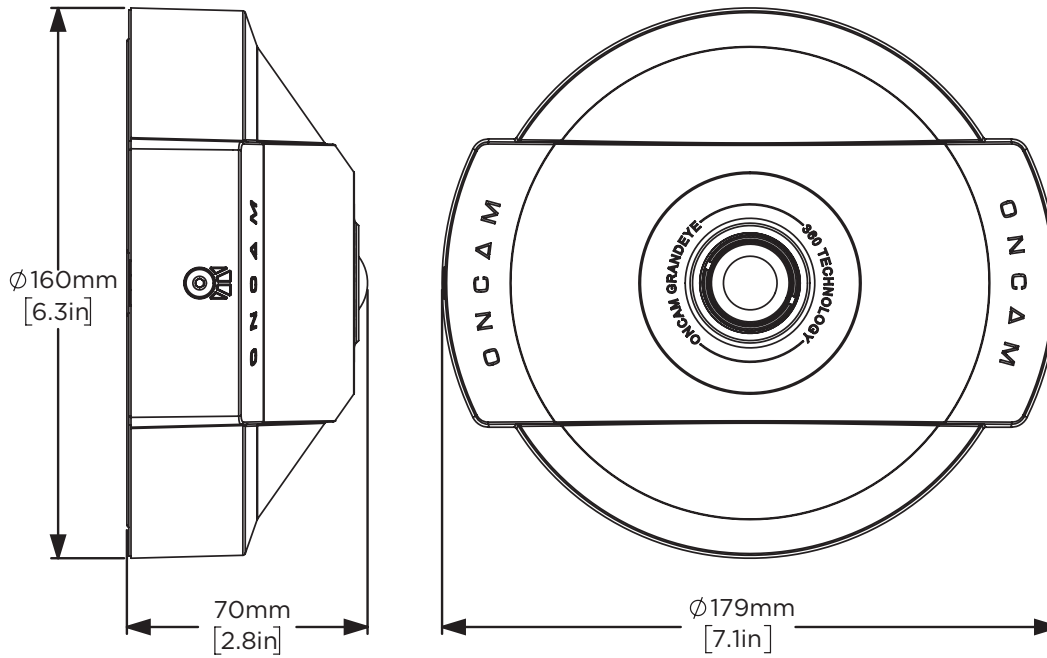
ACCESSORIES

	PART NUMBER	DESCRIPTION
	34485 (White) 34484 (Black)	Indoor Pendant Mount
	34491 (White) 34490 (Black)	Pole Mount Bracket (Use with Pendant Mount)
	34493 (White) 34492 (Black)	Wall Mount Bracket (Use with Pendant Mount)
	34487 (White) 34486 (Black)	Corner Mount Bracket (Use with Pendant Mount)

Evolution 12 360° Indoor Camera

The next step in 360° total situational awareness

DIMENSIONS



© Copyright 2014 - 2017 Oncam Global Group AG. All rights reserved.

Oncam Grandeye is the trade name of Oncam Global Group AG. Specifications and configurations subject to change without notice.

North America 1 800 563 5564
Latin America +5255 5259 9511
Europe +39 0362 17935
Asia +65 6818 0963
Australia and New Zealand +61 1300 089 419
Middle East and Africa +971 4 399 5525

© 2018 March Networks. All rights reserved. Information in this document is subject to change without notice. MARCH NETWORKS, March Networks Command, March Networks Searchlight, March Networks RideSafe, and the MARCH NETWORKS logo are trademarks of March Networks Corporation. All other trademarks are the property of their respective owners. 060-3284-00-B
marchnetworks.com

