

# Tiandy



TC-C35SP Spec: I5/A/E/2.8-12mm

## 5MP Super Starlight Motorized IR Turret Camera (2.8-12mm)



### KEY FEATURES

- Motorized Lens 2.8-12mm
- Up to 2592×1944@20fps
- S+265/H.265/H.264/M-JPEG
- Min. illumination Color: 0.001Lux@F1.2
- Smart IR, IR Range: 50m
- Support Video Analytics
- Plugin Free
- Operating Conditions -35°~65°, 0~95% RH
- POE, IP66



**Tiandy Technologies Co.,Ltd.**

Email: [sales@tiandy.com](mailto:sales@tiandy.com)

Tel: +86-22-58596065

Website: [en.tiandy.com](http://en.tiandy.com)

Fax: +86-22-58596048



## SPECIFICATIONS

| Camera               |   |
|----------------------|---|
| Image Sensor         | 1/2.8" CMOS   |
| Signal System        | PAL/NTSC  |
| Min. Illumination    | Color: 0.001Lux@ (F1.2, ACG ON), B/W: 0Lux with IR  |
| Shutter Time         | 1s to 1/100,000s  |
| Day & Night          | Dual IR Cut Filter with Auto Switch   |
| Wide Dynamic Range   | 120dB   |
| Angle Adjustment     | pan 0~340°, tilt 0~75°, roate 0~360°  |
| Lens                 |   |
| Lens Type            | Motorized   |
| Focus                | 2.8-12mm  |
| Lens Mount           | Φ14   |
| Aperture             | F1.2~F2.2, Motorized  |
| FOV                  | Horizontal field of view: 89.7°~35.9°   |
| Illuminator          |   |
| IR LEDs              | 2   |
| IR Range             | Up to 50m   |
| Wavelength           | 850nm   |
| White LEDs           | N/A   |
| Compression Standard |   |
| Video Compression    | S+265/H.265/H.264/M-JPEG  |
| Video Bit Rate       | 32Kbps~16Mbps   |
| Audio Compression    | G.711A/G.711U/ADPCM_D/AAC_LC  |
| Audio Bit Rate       | 8K~48Kbps   |
| Image                |   |
| Max. Resolution      | 2592x1944   |
| Main Stream          | PAL: 20fps (2592×1944), 25fps ( 2560×1440, 2304×1296, 1920×1080, 1280×960, 1280×720)<br>NTSC: 20fps (2592×1944), 30fps ( 2560×1440, 2304×1296, 1920×1080, 1280×960, 1280×720) |
| Sub Stream           | PAL: 25fps (704×576, 704×288, 640×360, 352×288)<br>NTSC: 30fps (704×480, 704×240, 640×360, 352×240)   |
| Third Stream         | 1080P   |
| Image Setting        | Saturation, brightness, contrast, sharpness, adjustable by client software or web browser   |
| Image Enhancement    | BLC/3D DNR/HLC/Corridor Format  |
| ROI                  | Support 7 fixed region of coding  |
| OSD                  | 16×16, 24×24,32×32, 48×48, 64×64, 96×96, adaptable size, Letters Such as Week, Date, Time, Total 5 Regions  |
| Picture Overlay      | Yes   |
| Privace Mask         | Yes   |
| Smart Defog          | Yes   |
| Feature              |   |
| Alarm Trigger        | Event Input, Event Output, Motion Detection, Mask Alarm, Disk Full, Disk R/W Error, IP Address Conflict, MAC Address Conflict, FTP Server Exception                           |
| Video Analytics      | Tripwire, Double Tripwire, Perimeter, Object Abandon, Object Lost, Loitering, Running, Parking, Crowded, Video Abnormal, Audio Abnormal, Heatmap                              |



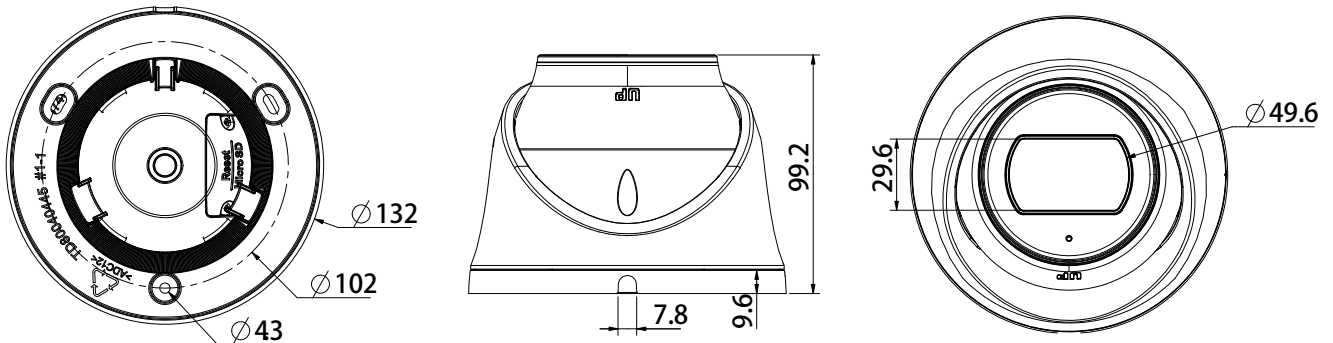
|                         |  |
|-------------------------|--|
| Early Warning(EW)       | N/A  |
| Intelligent Coding      | N/A  |
| Intelligent Image       | N/A  |
| Intelligent Alarm       | N/A  |
| <b>Network</b>          |  |
| ANR                     | Yes, auto store video in SD card when NVR disconnected, and upload video to NVR when resumed connection (Only Support Tiandy ANR NVR)                          |
| Protocols               | TCP/IP, ICMP, HTTP, HTTPS, DHCP, DNS, DDNS, MULTICAST, UPnP, FTP, IPV4, NTP, RTSP, SMTP, IGMP, QoS, Multicast  |
| System Compatibility    | ONVIF (PROFILE S/T), SDK, CGI, P2P   |
| Remote Connection       | ≤7   |
| Client                  | Easy7, EasyLive  |
| Web Version             | Web6   |
| <b>Interface</b>        |  |
| Communication Interface | 1 RJ45 10M/ 100M self adaptive Ethernet port   |
| Audio                   | 1/1, Mic in  |
| Alarm                   | 2/1  |
| Reset Button            | Yes  |
| On-board storage        | Built-in MicroSD card slot, up to 256 GB   |
| <b>General</b>          |  |
| Firmware Version        | -  |
| Web Client Language     | 15 languages<br>English, Russian, Spanish, Korean, Italian, Turkish, Simple Chinese, Traditional Chinese, Thai, French, Polish, Dutch, Hebraism, Farsi, Arabic |
| Operating Conditions    | -35°C ~ 65°C, 0 ~ 95% RH   |
| Power Supply            | DC12V±20%/PoE  |
| Power Consumption       | MAX: 8.5W(12V) MAX: 10W(POE)   |
| Protection              | IP66   |
| Heater                  | N/A  |
| Dimensions              | Φ132×100 mm (Φ5.2*3.94 inch)   |
| Weight                  | 0.65Kg (1.43lb)  |

\* Listed resolutions are only selectable options. It does not mean that all streams can work at their maximum resolution at the same time.

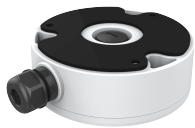
## AVAILABLE MODEL

## TC-C35SP SPEC: I8/A/E/2.8-12MM

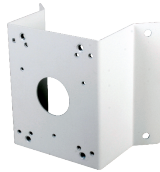
## DIMENSIONS (Unit: mm)



## ACCESSORIES



TC-P548BM Spec: V1  
Junction Box



A35  
Corner Mount



A36  
Pole Mount



811  
Junction Box



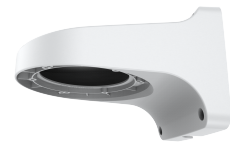
A20  
Pendant Mount



A21  
Corner Pole Mount



A23  
Mount Adapter



A28  
Wall Mount

DISTRIBUTED BY



**Tiandy Technologies Co.,Ltd.**

Email: sales@tiandy.com  
Website: en.tiandy.com

Tel: +86-22-58596065  
Fax: +86-22-58596048