

Tiandy



TC-C35KS Spec:I3/E/2.8mm

5MP Starlight Vandalproof Mini IR Dome Camera (2.8mm)



Pro Series

KEY FEATURES

- Full Metal Housing
- Up to 2592×1944@20fps
- S+265/H.265/H.264/M-JPEG
- Min. illumination Color: 0.002Lux@F1.6
- Smart IR, IR Range: 30m
- Support Video Analytics
- Plugin Free
- Operating Conditions -35°~65°, 0~95% RH
- POE, IP66, IK10



Tiandy Technologies Co.,Ltd.

Email: sales@tiandy.com

Tel: +86-22-58596065

Website: en.tiandy.com

Fax: +86-22-58596048



SPECIFICATIONS

| Camera | |
|----------------------|---|
| Image Sensor | 1/2.8" CMOS |
| Signal System | PAL/NTSC |
| Min. Illumination | Color: 0.002Lux@ (F1.6, ACG ON), B/W: 0Lux with IR |
| Shutter Time | 1s to 1/100,000s |
| Day & Night | Dual IR Cut Filter with Auto Switch |
| Wide Dynamic Range | 120dB |
| Angle Adjustment | pan 0~330°, tilt 0~75°, rotate 0~350° |
| Lens | |
| Lens Type | Fixed |
| Focus | 2.8mm |
| Lens Mount | M12 |
| Aperture | F1.6, Fixed |
| FOV | Horizontal field of view: 97.8° |
| Illuminator | |
| IR LEDs | 8 |
| IR Range | Up to 30m |
| Wavelength | 850nm |
| White LEDs | N/A |
| Compression Standard | |
| Video Compression | S+265/H.265/H.264/M-JPEG |
| Video Bit Rate | 32Kbps~16Mbps |
| Audio Compression | G.711A/G.711U/ADPCM/AAC |
| Audio Bit Rate | 8K~48Kbps |
| Image | |
| Max. Resolution | 2592x1944 |
| Main Stream | PAL: 20fps (2592×1944), 25fps (2560×1440, 2304×1296, 1920×1080, 1280×960, 1280×720) NTSC: 20fps (2592×1944), 30fps (2560×1440, 2304×1296, 1920×1080, 1280×960, 1280×720) |
| Sub Stream | PAL: 25fps (704×576, 704×288, 640×360, 352×288) NTSC: 30fps (704×480, 704×240, 640×360, 352×240) |
| Third Stream | 1080P |
| Image Setting | Saturation, brightness, contrast, sharpness, adjustable by client software or web browser |
| Image Enhancement | BLC/3D DNR/HLC/Corridor Format |
| ROI | Support 7 fixed region of coding |
| OSD | 16×16, 24×24, 32×32, 48×48, 64×64, 96×96, adaptable size, Letters Such as Week, Date, Time, Total 5 Regions |
| Picture Overlay | Yes |
| Privacy Mask | Yes |
| Smart Defog | Yes |
| Feature | |
| Alarm Trigger | Motion Detection, Mask Alarm, Disk Full, Disk R/W Error, IP Address Conflict, MAC Address Conflict, FTP Server Exception |



| | |
|--------------------------------|--|
| Video Analytics | Tripwire, Double Tripwire, Perimeter, Object Abandon, Object Lost, Loitering, Running, Parking, Crowded, Video Abnormal, Audio Abnormal, Heatmap |
| Early Warning(EW) | N/A |
| Intelligent Coding | N/A |
| Intelligent Image | N/A |
| Intelligent Alarm | N/A |
| Network | |
| ANR | Yes, auto store video in SD card when NVR disconnected, and upload video to NVR when resumed connection (Only Support Tiandy ANR NVR) |
| Protocols | TCP/IP, ICMP, HTTP, HTTPS, DHCP, DNS, DDNS, MULTICAST, UPnP, FTP, IPV4, NTP, RTSP, SMTP, IGMP, 802.1x, QoS, Multicast |
| System Compatibility | ONVIF (PROFILE S/T), SDK, CGI, P2P |
| Remote Connection | ≤7 |
| Client | Easy7, EasyLive |
| Web Version | Web6 |
| Interface | |
| Communication Interface | 1 RJ45 10M/ 100M self adaptive Ethernet port |
| Audio | 1/0, Mic in |
| Alarm | N/A |
| Reset Button | Yes |
| On-board storage | Built-in Micro SD card slot, up to 256 GB |
| General | |
| Firmware Version | - |
| Web Client Language | 15 languages English, Russian, Spanish, Korean, Italian, Turkish, Simple Chinese, Traditional Chinese, Thai, French, Polish, Dutch, Hebraism, Farsi, Arabic |
| Operating Conditions | -35°C~65°C, 0~95% RH |
| Power Supply | DC12V±20%/PoE |
| Power Consumption | MAX: 5W (12V) MAX: 6W (POE) |
| Protection | IP66, IK10 |
| Heater | N/A |
| Dimensions | φ120×90mm (φ4.72×3.54 inch) |
| Weight | 0.45Kg (0.99) |

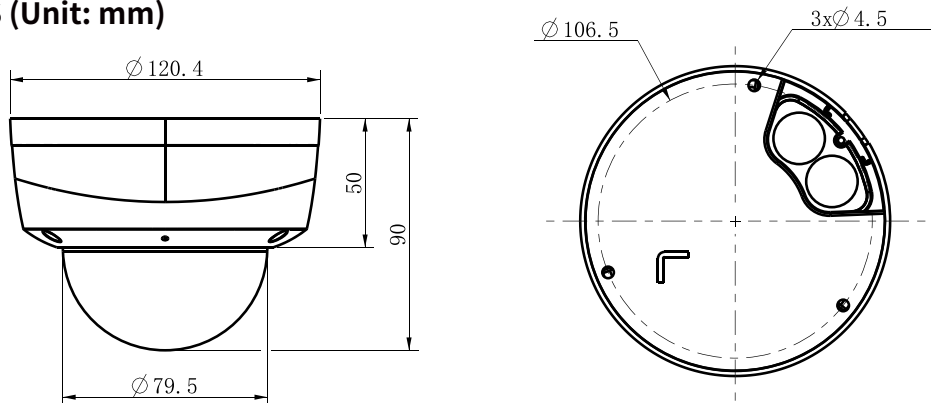
* Listed resolutions are only selectable options. It does not mean that all streams can work at their maximum resolution at the same time.

AVAILABLE MODEL

TC-C35KS SPEC:I5/E/2.8MM

Tiandy

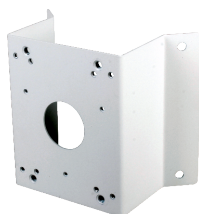
DIMENSIONS (Unit: mm)



ACCESSORIES



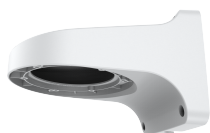
A36
Pole Mount



A35
Corner Mount



811
Junction Box



A29
Wall Mount



A21
Corner Pole Mount



A23
Mount Adapter



A20
Pendant Mount

DISTRIBUTED BY



Tiandy Technologies Co.,Ltd.

Email: sales@tiandy.com
Website: en.tiandy.com

Tel: +86-22-58596065
Fax: +86-22-58596048