

Tiandy



TC-NCL522S

5MP Starlight IR Turret Camera (2.8mm)

Lite Series



KEY FEATURES

- 2560x1920@20fps
- S+265/H.265/H.264
- Min. illumination Color: 0.002Lux@F1.6
- Smart IR, IR Range: 30m
- Operating Conditions -35°~65°, 0~95% RH
- POE, IP66
- Intelligent Coding/Image/Alarm



Tiandy Technologies Co.,Ltd.

Email: sales@tiandy.com Tel: +86-22-58596065
Website: en.tiandy.com Fax: +86-22-58596048



SPECIFICATIONS

Camera	
Image Sensor	1/2.8" CMOS
Signal System	PAL/NTSC
Min. Illumination	Color: 0.002Lux@ (F1.6, ACG ON), B/W: 0Lux with IR
Shutter Time	1s to 1/100,000s
Day & Night	Dual IR Cut Filter with Auto Switch
Wide Dynamic Range	120dB
Angle Adjustment	pan 0~340°, tilt 0~75°, roate 0~360°
Lens	
Lens Type	Fixed
Focus	2.8mm
Lens Mount	M12
Aperture	F1.6, Fixed
FOV	Horizontal field of view: 97.8°
Illuminator	
IR LEDs	1
IR Range	Up to 30m
Wavelength	850nm
White LEDs	N/A
Compression Standard	
Video Compression	S+265/H.265/H.264
Video Bit Rate	32 Kbps to 16 Mbps
Audio Compression	N/A
Audio Bit Rate	N/A
Image	
Max. Resolution	2592x1944
Main Stream	PAL: 18fps (2592×1944), 20fps (2560×1920), 25fps (2592×1520, 2560×1440, 2048×1536, 1920×1080, 1280×960, 1280×720) NTSC: 18fps (2592×1944), 20fps (2560×1920), 25fps (2592×1520, 2560×1440), 30fps (2048×1536, 1920×1080, 1280×960, 1280×720)
Sub Stream	PAL: 25fps (704×576, 704×288, 640×360, 352×288) NTSC: 30fps (704×480, 704×240, 640×360, 352×240)
Third Stream	Yes
Image Setting	Saturation, brightness, contrast, sharpness, adjustable by client software or web browser
Image Enhancement	BLC/3D DNR/HLC/Corridor Format
ROI	Support 7 fixed region of coding
OSD	16×16, 24×24, 32×32, 48×48, 64×64, 96×96, adaptable size, Letters Such as Week, Date, Time, Total 5 Regions
Picture Overlay	Y
Privace Mask	Yes
Smart Defog	Yes
Feature	
Alarm Trigger	Motion Detection, Mask Alarm, IP Address Conflict, MAC Address Conflict, FTP Server Exception
Video Analytics	Tripwire, Double Tripwire, Perimeter, Object Abandon, Object Lost, Loitering, Running, Parking, Crowded, Video Abnormal, Face Detection, Demographics, On Duty Detection
Early Warning(EW)	N/A



Intelligent Coding	N/A
Intelligent Image	N/A
Intelligent Alarm	N/A
Network	
Network Storage	N/A
Protocols	TCP/IP, ICMP, HTTP, HTTPS, DHCP, DNS, DDNS, MULTICAST, UPnP, FTP, IPV4, NTP, RTSP, SMTP, IGMP, QoS, PPPoE
System Compatibility	ONVIF (PROFILE S), SDK, P2P
Remote Connection	≤7
Client	Easy7, EasyLive
Web Version	Web5
Interface	
Communication Interface	1 RJ45 10M/ 100M self adaptive Ethernet port
Audio I/O	N/A
Alarm I/O	N/A
Reset Button	N/A
On-board storage	N/A
General	
Firmware Version	NVSS_V14.0.1.20180209
Web Client Language	11 languages English, Russian, Spanish, Korean, Italian, Turkish, Simple Chinese, Traditional Chinese, Thai, French, Polish
Operating Conditions	-35°C ~ 65°C, 0 ~ 95% RH
Power Supply	DC 12V±20%, PoE (802.3af)
Power Consumption	MAX: 5W(12V) MAX: 6W(POE)
Protection	IP66
Heater	N/A
Dimensions	Φ117×96 mm (Φ4.61×3.78 inch)
Weight	0.3Kg (0.66lb)

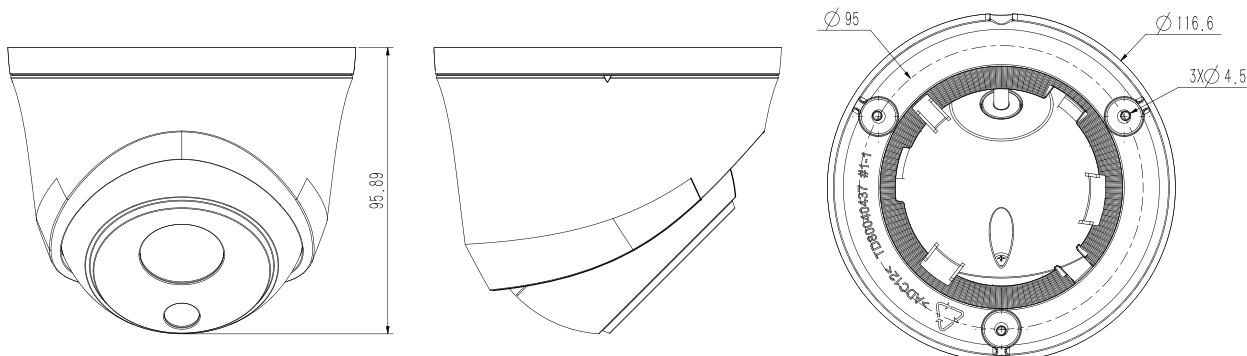
* Listed resolutions are only selectable options. It does not mean that all streams can work at their maximum resolution at the same time.

AVAILABLE MODEL

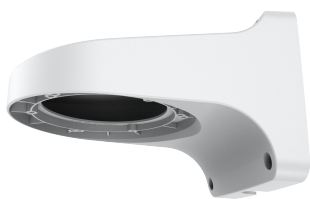
TC-NCL522S

Tiandy

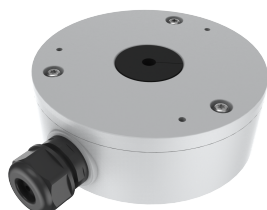
DIMENSIONS (Unit: mm)



ACCESSORIES



A29
WALL MOUNT



TC-P54BM SPEC: V5
JUNCTION BOX



A36
POLE MOUNT

DISTRIBUTED BY



Tiandy Technologies Co.,Ltd.

Email: sales@tiandy.com
Website: en.tiandy.com

Tel: +86-22-58596065
Fax: +86-22-58596048