



# AC-IPC-8221PR-IR(G) & AC-IPC-8821PR-IR(G)

## 5G AI 4X/12X Pro Bullet Plus Network Camera

### Features:

- . Smart IR II(Combining the High Beam and Low Beam to adjust IR intensity to fit different lighting conditions.)
- . P2P(Remotely access the camera using 5G network via P2P with hassle-free setup and easy connection.)
- . 100fps High Frame Rate(Camera can easily catch images with no latency despite of the high-speed movement.)
- . HLC (High Light Compensation.Improving image visibility under strong light sources.)
- . Defog (Defog technology. Restoring clear images in hazy and foggy weather.)
- . Integrated Cable Management (Combining the power interface, PoE port, and other interfaces in the base neatly.)
- . 256G (Supporting ultra-large external microSD/SDHC/SDXCcard storage upto256G.)
- . Smart Stream (Bandwidth,storage and bitrate are saved with Smart Stream On,eg,H.265+ saves 70%-80% bandwidth that of H.264.)

### 5G Technology

Camera responsiveness and real-time monitoring can be greatly enhanced by the larger bandwidth and lower latency of 5G networks not to mention a leap in ultra-high-definition video or images.The 5G camera comes with its 5G cellular module, which is fit for some scenarios where wiring is inconvenient, and its higher performance of mobility, security and coverage also bring new opportunities for the industry.



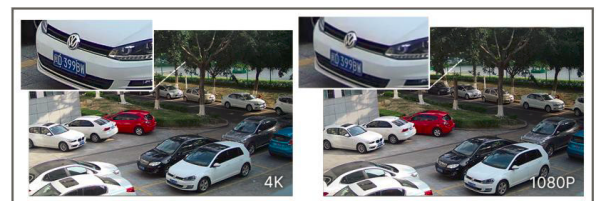
### AI Video Analytics

- . 8 intelligent VCA modes powered by AI engine,which can intelligently filter objects to focus on human and vehicle detection
- . People Counting technology provides high accuracy and real-time data based on AI algorithm with statistic reports
- . Face Detection function detects human faces in the monitoring scene and captures the snapshots, which greatly enhances the monitoring efficiency.



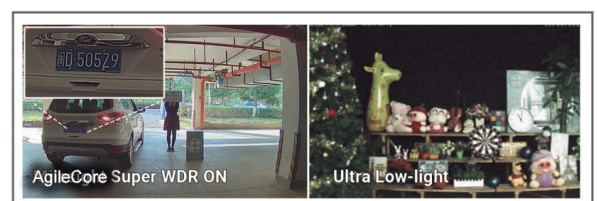
### 30fps@4K

Providing 4K HD resolution with frame rate of 30fps, the camera performs well in catching detailed image regardless of the movingspeed.



### 3 in 1 Super WDR Pro & 0.002Lux Ultra Low-light

140dB Super WDR Pro combines 3 frames with multiple exposures to get the optimal images especially moving subjects in high contrast lighting situations. Meanwhile, AgileCore cameras can capture full-color images in extremely low-light conditions reaching 0.002Lux without extra light supplement

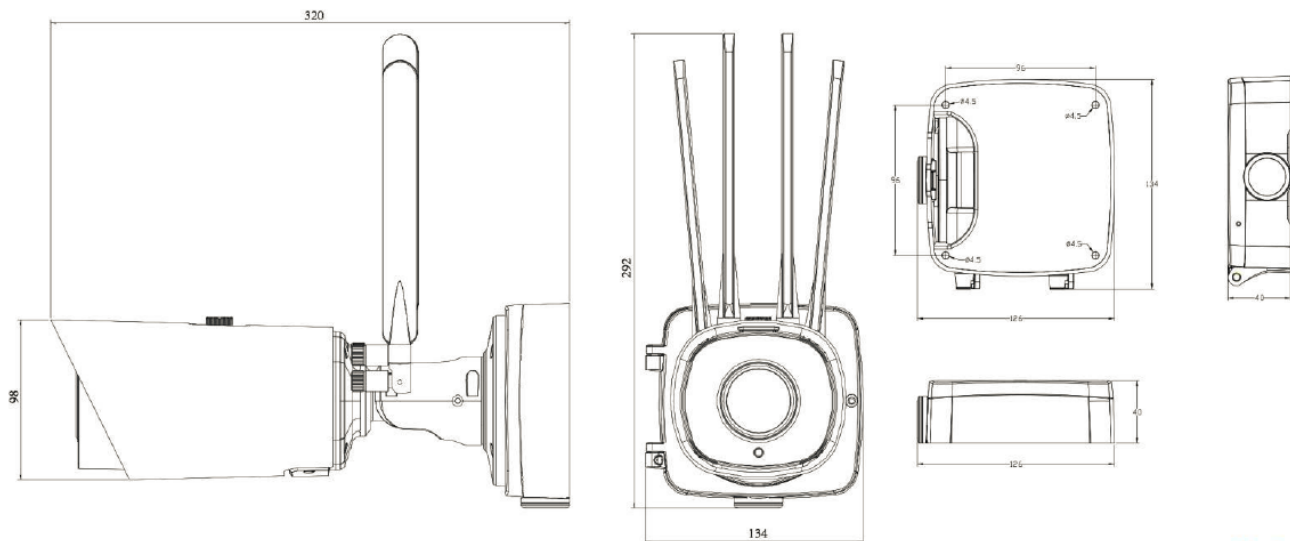
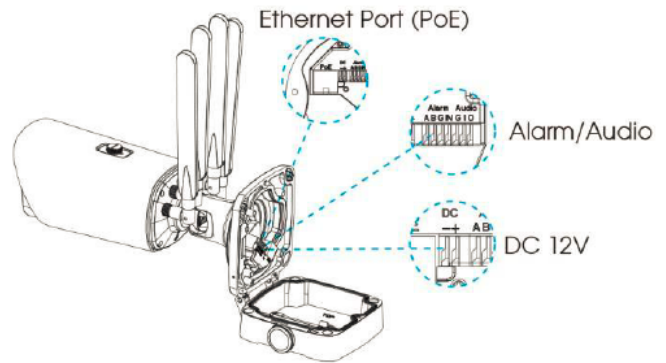
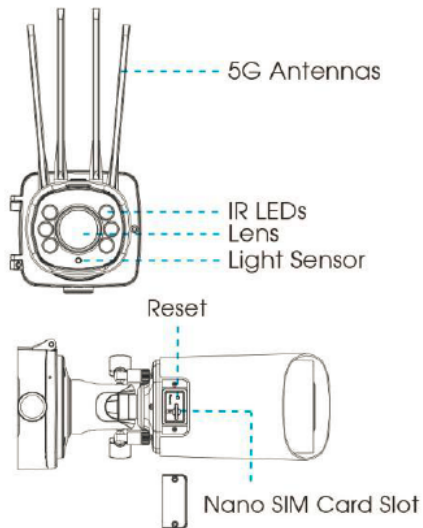


## Specifications:

Model		AC-IPC-8221PR-IR(G)	AC-IPC-8821PR-IR(G)
Camera	Image Sensor	1/2.8" Progressive Scan CMOS	1/1.8" Progressive Scan CMOS
	Min. Illumination	Color: 0.002Lux@F1.2, Color: 0.005Lux@F1.6, B/W: 0Lux with IR on	Color: 0.006Lux@F1.2, Color: 0.009Lux@F1.6, B/W: 0Lux with IR on
	WDR	140dB Super WDR (Super WDR Pro is optional for T Series)	120dB Super WDR
	Shutter Time	1/100000s~1s	
	IR Distance	Up to 180m	
	Day/Night Mode	Day/Night/Auto/Customize/Schedule	
	S/N	>55dB	
Lens	Lens	5.3~64mm, 12X Optical Zoom	8~32mm, 4X Optical Zoom
	Field of View	H61°~H5°/D69°~D5°/V36°~V2°	H44°~H13°/D51°~D15°/V25°~V7°
	Mount	Φ14	
	Focus Control	Auto/Manual	
	Aperture	F1.6~F2.8	F1.6-F1.7
	Iris Control	Auto	
Video	Max. Image Resolution	1920x1080	3840x2160
	Primary Stream	60Hz: 100fps@(1920x1080)(Optional for T Series), 60fps@(1920x1080, 1280x960, 1280x720, 704x576) 50Hz: 100fps@(1920x1080)(Optional for T Series), 50fps@(1920x1080, 1280x960, 1280x720, 704x576)	60Hz: 30fps@(3840x2160, 3072x2048, 2592x1944, 2592x1520, 2048x1536, 1920x1080, 1280x960, 1280x720, 704x576) 50Hz: 25fps@(3840x2160, 3072x2048, 2592x1944, 2592x1520, 2048x1536, 1920x1080, 1280x960, 1280x720, 704x576)
	Secondary Stream	60Hz: 60fps@(704x576, 640x480, 640x360, 352x288, 320x240, 320x192, 320x180) 50Hz: 50fps@(704x576, 640x480, 640x360, 352x288, 320x240, 320x192, 320x180)	60Hz: 30fps@(704x576, 640x480, 640x360, 352x288, 320x240, 320x192, 320x180) 50Hz: 25fps@(704x576, 640x480, 640x360, 352x288, 320x240, 320x192, 320x180)
	Tertiary Stream	60Hz: 30fps@(1920x1080, 1280x720, 704x576, 640x480, 640x360, 320x240, 320x192, 320x180) 50Hz: 25fps@(1920x1080, 1280x720, 704x576, 640x480, 640x360, 320x240, 320x192, 320x180)	
	Video Compression	H.265+/H.265(HEVC)/H.264+/H.264/MJPEG	
	Video Bit Rate	16Kbps~16Mbps(CBR/VBR Adjustable)	
	Privacy Masking	Up to 28 areas(24 mask areas and 4 mosaic areas)	
	ROI	Up to 8 areas	
	Image Setting	Brightness/Contrast/Saturation/Sharpness	
	Interface	Ethernet	1*RJ45 10M/100M Ethernet Port
Audio I/O		1/1	
Alarm I/O		1/1	
Mobile Communication Parameter	Wireless Communication	Support 5G/4G/3G	
	Frequency Bands	5G NR	n1/n2/n3/n5/n7/n8/n12/n20/n28/n41/n66/n71/n77/n78/n79
		LTE-FDD	B1/B2/B3/B4/B5/B7/B8/B9/B12/B13/B14/B17/B18/B19/B20/B21(TBD)/ B25/B26/B28/B29/B30/B32/B66/B71
LTE-TDD	B34/B38/39/B40/B41/B42/B48		

		LAA	B46	
		WCDMA	B1/B2/B3/B4/B5/B6/B8/B19	
		GNSS	GPS/GLONASS/BeiDou/Galileo	
	Wireless Transmission Speed	SA	DL 3.3Gbps; UL 250Mbps	
		NSA	DL 3.4Gbps; UL 200Mbps	
		LTE	DL 2.0Gbps; UL 150Mbps	
		WCDMA	DL 42Mbps; UL 5.76Mbps	
SIM Card		Nano SIM		
Network	Network Storage		NAS(Support NFS, SMB/CIFS), ANR	
	Protocol		IPv4/IPv6, ARP, TCP, UDP, RTCP, RTP, RTSP, RTMP, HTTP, HTTPS, DNS, DDNS, DHCP, FTP, NTP, SMTP, SNMP,UPnP, Bonjour, SIP, PPPoE, VLAN, 802.1x, QoS, IGMP, ICMP, SSL	
Audio	Audio Compression		G.711/AAC/G.722/G.726	
	Audio Sampling Rate		8/16/32/44.1/48KHz	
	Audio Bit Rate		16~256kbps	
	Two-way Audio		Support	
Intelligent Analytics	Video Analysis		Region Entrance, Region Exiting, Advanced Motion Detection, Tamper Detection, Line Crossing, Loitering, Object Left, Object Removed	
	Face Detection		Detect and capture faces, get real-time snapshots	
	People Counting& Report		Count the number of people entering or exiting, up to 4 detection areas for regional people counting	
System	Storage		Support microSD/SDHC/SDXC Card Local Storage, up to 256G	
	Advanced Function		Heat Map, BLC, HLC, 2D DNR, 3D DNR, Defog, AWB, EIS, IP Address Filtering, AGC, Anti-flicker, Corridor Mode, Deblur, Watermark	
	SIP/VoIP Support		Yes, Voice & Video-over-IP	
	Event Trigger		Motion Detection, Network Disconnection, External Input, Audio Alarm, etc.	
	Event Action		FTP Upload, SMTP Upload, SD Card Record, External Output, SIP Phone, HTTP Notification, etc	
	System Compatibility		ONVIF Profile G & Q & S & T, API	
General	Working Temperature		-40°C~60°C	
	Working Humidity		0~90%(Non-condensing)	
	Power Supply		PoE (802.3at) / DC 12V±10%	
	Power Consumption		8W MAX, 16W MAX (With IR on)	8W MAX,17W MAX (With IR on)
	Surge Protection		4KV	
	Weather Proof		Up to IP67-rated for Weather-resistant Performance (Only for camera body)	
	Weight		1608g	
	Dimensions		320mmX134mmX126mm, 320mmX134mmX292mm (With 5G Antennas)	

## Structure Diagrams



Units: mm