

Tiandy



TC-A32M4 Spec: 1/A/E/2.8-12mm

2MP Super Starlight Motorized Face Recognition Dome Camera (2.8-12mm)



AI Series

KEY FEATURES

- 1/2.8 inch CMOS sensor
- Up to 1920X1080@30fps
- Min. illumination Color: 0.001Lux@F1.2
- S+265/H.265/H.264/M-JPEG
- Face recognition/face capture/intelligent monitoring mode
- White light distance 5m~8m
- IP67, PoE



Tiandy Technologies Co.,Ltd.

Email: sales@tiandy.com

Tel: +86-22-58596065

Website: en.tiandy.com

Fax: +86-22-58596048



SPECIFICATIONS

Camera	
Image Sensor	1/2.8" CMOS
Signal System	PAL/NTSC
Min. Illumination	Color: 0.001Lux@ (F1.2, ACG ON)
Shutter Time	1s to 1/100,000s
Day & Night	Dual IR Cut Filter with Auto Switch
Wide Dynamic Range	120dB
Lens	
Lens Type	Motorized
Focus	2.8-12mm
Lens Mount	Ø14
Aperture	F1.3~F2.2, DC Drive
FOV	Horizontal field of view: 100° ~ 35.5°
Illuminator	
IR LEDs	N/A
IR Range	N/A
Wavelength	N/A
White LEDs	18
Compression Standard	
Video Compression	S+265/H.265/H.264/M-JPEG
Video Bit Rate	32 Kbps to 16 Mbps
Audio Compression	G.711A/G.711U/ADPCM_D/AAC_LC
Audio Bit Rate	8K~48Kbps
Image	
Max. Resolution	1920×1080
Main Stream	PAL: 25fps (1920×1080, 1280×960, 1280×720, 704×576, 640×480) NTSC: 30fps (1920×1080, 1280×960, 1280×720, 704×480, 640×480)
Sub Stream	PAL: 25fps (704×576, 704×288, 640×360, 352×288) NTSC: 30fps (704×480, 704×240, 640×360, 352×240)
Third Stream	4CIF
Image Setting	Saturation, brightness, contrast, sharpness, adjustable by client software or web browser
Image Enhancement	BLC/3D DNR/HLC/Corridor Format
ROI	Support 7 fixed region of coding
OSD	16×16, 24×24, 32×32, 48×48, 64×64, adaptable size, Letters Such as Week, Date, Time, Total 5 Regions
Picture Overlay	Yes
Privace Mask	Yes
Smart Defog	Yes
Feature	
Alarm Trigger	Event Input, Event Output, Motion Detection, Mask Alarm, Disk Full, Disk R/W Error, IP Address Conflict, MAC Address Conflict, FTP Server Exception
Video Analytics	Tripwire, Double Tripwire, Perimeter, Object Abandon, Object Lost, Loitering, Running, Parking, On Duty Detection, Video Abnormal, Audio Abnormal
Early Warning(EW)	Yes
Intelligent Coding	N/A
Intelligent Image	N/A
Intelligent Alarm	N/A
Face Detection and Analytics	
Operating Mode	Face recognition, face capture, intelligent monitoring optional, default face recognition
Face Detection Performance	Detects up to 32 faces at the same scene
Face Exposure Brightness	Default 35, 1-100 brightness optional
Min. Face Pixel	Default 80, 19-1920 optional



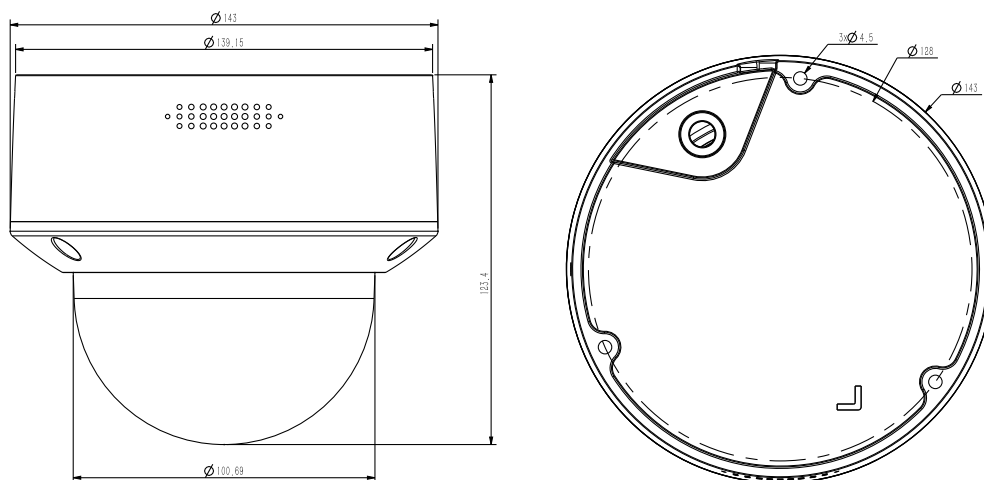
Face Recognition	Yes
Face Library	32
Face Pictures	5000
Face Library Management	Retrieve, import, export
Face Recognition Alert	Comparison Alarm, stranger alarm
Precautionary Alert	Three Level
Network	
ANR	Yes
Protocols	TCP/IP, ICMP, HTTP, HTTPS, DHCP, DNS, DDNS, MULTICAST, UPnP, FTP, IPV4, NTP, RTSP, SMTP, IGMP, QoS, PPPoE
System Compatibility	ONVIF (PROFILE S), SDK, CGI, P2P
Remote Connection	≤7
Client	Easy7, EasyLive
Web Version	Web6
Interface	
Communication Interface	1 RJ45 10M/100M self adaptive Ethernet port
Audio	1/1, Mic in
Alarm	2/1
Reset Button	Yes
On-board storage	Built-in MicroSD card slot, up to 128 GB
General	
Firmware Version	NVSS_V20.0.1.20190313_SP1
Web Client Language	English, Simple Chinese
Operating Conditions	-35°C ~ 65°C, 0 ~ 95% RH
Power Supply	DC12V±20%/PoE
Power Consumption	MAX: 7.5W(12V) MAX: 8.5W(POE)
Protection	IP66
Heater	N/A
Dimensions	Φ143×124 mm (Φ5.63*4.88 inch)
Weight	0.95kg (2.09lb)

* Listed resolutions are only selectable options. It does not mean that all streams can work at their maximum resolution at the same time.

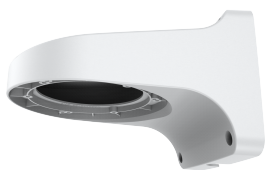
AVAILABLE MODEL

TC-A32M4 SPEC: 1/A/E/2.8-12MM

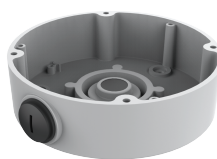
DIMENSIONS



ACCESSORIES



A28
Wall Mount



TC-P54BM Spec: V3
Junction Box

DISTRIBUTED BY



Tiandy Technologies Co.,Ltd.

Email: sales@tiandy.com
Website: en.tiandy.com

Tel: +86-22-58596065
Fax: +86-22-58596048