

Tiandy



TC-C32MS Spec: I3/A/E/2.8-12mm

2MP Starlight Motorized Vandalproof IR Dome Camera (2.8-12mm)



Pro Series

KEY FEATURES

- Motorized Lens 2.8-12mm
- Up to 1920x1080@30fps
- S+265/H.265/H.264/M-JPEG
- Min. illumination Color: 0.001Lux@F1.4
- Smart IR, IR Range: 30m
- Support Video Analytics
- Support Human/Vehicle Classification
- Plugin Free
- Operating Conditions -35°~65°, 0~95% RH
- POE, IP66, IK10



Tiandy Technologies Co.,Ltd.

Email: sales@tiandy.com

Tel: +86-22-58596065

Website: en.tiandy.com

Fax: +86-22-58596048



SPECIFICATIONS

Camera	
Image Sensor	1/2.8" CMOS
Signal System	PAL/NTSC
Min. Illumination	Color: 0.001Lux@ (F1.4, ACG ON), B/W: 0Lux with IR
Shutter Time	1s to 1/100,000s
Day & Night	Dual IR Cut Filter with Auto Switch
Wide Dynamic Range	120dB
Angle Adjustment	pan 0~330°, tilt 0~75°, roate 0~350°
Lens	
Lens Type	Motorized
Focus	2.8-12mm
Lens Mount	Φ14
Aperture	F1.4~F2.8, Motorized
FOV	Horizontal field of view: 83°~33.7°
Illuminator	
IR LEDs	18
IR Range	Up to 30m
Wavelength	850nm
White LEDs	N/A
Compression Standard	
Video Compression	S+265/H.265/H.264/M-JPEG
Video Bit Rate	32Kbps~6Mbps
Audio Compression	G.711/G.711U/ADPCM
Audio Bit Rate	8K~48Kbps
Image	
Max. Resolution	1920x1080
Main Stream	PAL: 25fps (1920×1080, 1280×960, 1280×720, 704×576, 640×480) NTSC: 30fps (1920×1080, 1280×960, 1280×720, 704×480, 640×480)
Sub Stream	PAL: 25fps (704×576, 704×288, 640×360, 352×288) NTSC: 30fps (704×480, 704×240, 640×360, 352×240)
Third Stream	N/A
Image Setting	Saturation, brightness, contrast, sharpness, adjustable by client software or web browser
Image Enhancement	BLC/3D DNR/HLC
ROI	N/A
OSD	16×16, 32×32, 48×48, adaptable size, Letters Such as Week, Date, Time, Total 1 Regions
Picture Overlay	Yes
Privace Mask	Yes
Smart Defog	Yes
Feature	
Alarm Trigger	Event Input, Event Output, Motion Detection, Mask Alarm, IP Address Conflict, MAC Address Conflict
Video Analytics	Tripwire, Double Tripwire, Perimeter, Object Abandon, Object Lost, Loitering, Running, Parking, Video Abnormal, Audio Abnormal



Early Warning(EW)	N/A
Intelligent Coding	Yes
Intelligent Image	Yes
Intelligent Alarm	Yes
Network	
ANR	Yes, auto store video in SD card when NVR disconnected, and upload video to NVR when resumed connection (Only Support Tiandy ANR NVR)
Protocols	TCP/IP, ICMP, HTTP, HTTPS, DHCP, DNS, DDNS, MULTICAST, UPnP, FTP, IPV4, NTP, RTSP, SMTP, IGMP, 802.1x, QoS, Multicast
System Compatibility	ONVIF (PROFILE S/T), SDK, CGI, P2P
Remote Connection	≤7
Client	Easy7, EasyLive
Web Version	Web6
Interface	
Communication Interface	1 RJ45 10M/ 100M self adaptive Ethernet port
Audio	1/1, Mic in
Alarm	2/1
Reset Button	Yes
On-board storage	Built-in MicroSD card slot, up to 256 GB
General	
Firmware Version	-
Web Client Language	15 languages English, Russian, Spanish, Korean, Italian, Turkish, Simple Chinese, Traditional Chinese, Thai, French, Polish, Dutch, Hebraism, Farsi, Arabic
Operating Conditions	-35°C ~ 65°C, 0 ~ 95% RH
Power Supply	DC12V±20%/PoE
Power Consumption	MAX: 7.5W(12V) MAX: 9W(POE)
Protection	IP66, IK10
Heater	N/A
Dimensions	Φ143×124 mm (Φ5.63*4.88 inch)
Weight	0.95Kg (2.09lb)

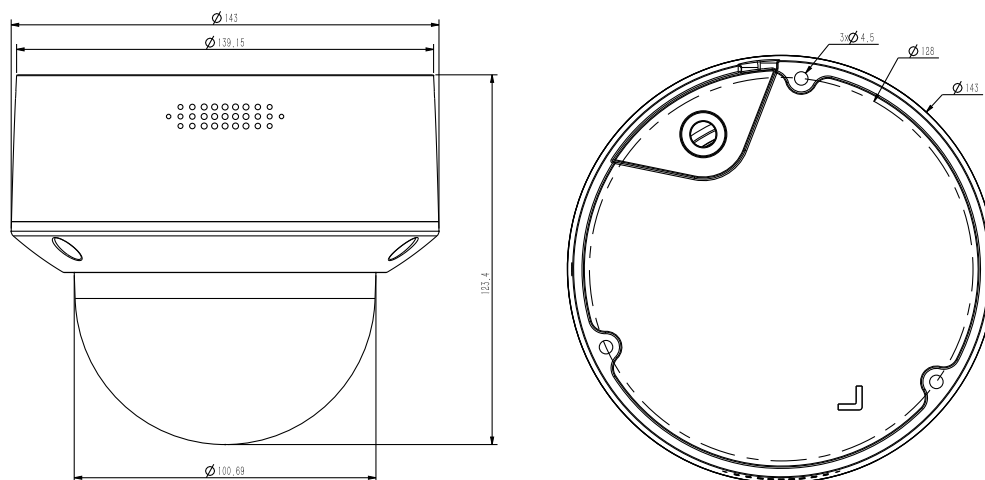
* Listed resolutions are only selectable options. It does not mean that all streams can work at their maximum resolution at the same time.

AVAILABLE MODEL

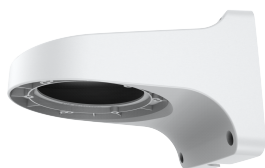
TC-C32MS SPEC: I3/A/E/2.8-12MM

Tiandy

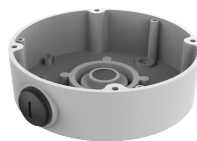
DIMENSIONS (Unit: mm)



ACCESSORIES



A28
Wall Mount



TC-P54BM Spec: V3
Junction Box

DISTRIBUTED BY



Tiandy Technologies Co.,Ltd.

Email: sales@tiandy.com
Website: en.tiandy.com

Tel: +86-22-58596065
Fax: +86-22-58596048