

Tiandy



TC-NC1261

12MP IR Fisheye Camera

Ultra Series



KEY FEATURES

- Up to 4000×3072@20fps
- S+265/H.265/H.264/M-JPEG
- Support Ceiling, Wall, Table Mounting
- Support Hardware Decoding and Software Decoding
- Support 360° Panaromic View, 180° Panaromic View, 4PTZ, Fisheye+3PTZ Mode
- Support Human/Vehicle Classification
- Built-in Mic&Speaker
- Smart IR, IR Range: 20m
- Operating Conditions -35°~65°, 0~95% RHG
- POE, IP66, IK10



Tiandy Technologies Co.,Ltd.

Email: sales@tiandy.com

Tel: +86-22-58596065

Website: en.tiandy.com

Fax: +86-22-58596048



SPECIFICATIONS

| Camera | |
|----------------------|---|
| Image Sensor | 1/1.7" CMOS |
| Signal System | PAL/NTSC |
| Min. Illumination | Color: 0.05Lux@ (F2.8, ACG ON), B/W: 0Lux with IR |
| Shutter Time | 1s to 1/100,000s |
| Day & Night | Dual IR Cut Filter with Auto Switch |
| Wide Dynamic Range | Digital WDR |
| Lens | |
| Lens Type | Fixed |
| Focus | 1.98mm |
| Lens Mount | M12 |
| Aperture | F2.8, Fixed |
| FOV | Horizontal field of view: 180° |
| Illuminator | |
| IR LEDs | 3 |
| IR Range | Up to 20m |
| Wavelength | 850nm |
| White LEDs | 3 |
| Compression Standard | |
| Video Compression | S+265/H.265/H.264/M-JPEG |
| Video Bit Rate | 32 Kbps to 16 Mbps |
| Audio Compression | G.711A/G.711U/ADPCM/AAC |
| Audio Bit Rate | 8K~48Kbps |
| Image | |
| Max. Resolution | 4000×3072 |
| Main Stream | PAL: 20fps (4000×3072), 25fps (3072×3072, 2560×2560), 20fps (720×720, 704×576) NTSC: 20fps (4000×3072), 30fps (3072×3072, 2560×2560), 20fps (720×720, 704×480) |
| Sub Stream | PAL: 25fps (704×576, 704×288, 352×288) NTSC: 30fps (704×480, 704×240, 352×240) |
| Third Stream | N/A |
| Image Setting | Saturation, brightness, contrast, sharpness, adjustable by client software or web browser |
| Image Enhancement | BLC/3D DNR/HLC |
| ROI | Support 7 fixed region of coding |
| OSD | 16×16, 24×24, 32×32, 48×48, 64×64, 96×96, adaptable size, Letters Such as Week, Date, Time, Total 5 Regions |
| Picture Overlay | Yes |
| Privace Mask | Yes |
| Smart Defog | Yes |
| Feature | |
| Alarm Trigger | Event Input, Event Output, Motion Detection, Mask Alarm, Disk Full, Disk R/W Error, IP Address Conflict, MAC Address Conflict, FTP Server Exception |
| Video Analytics | Tripwire, Double Tripwire, Perimeter, Video Abnormal, Audio Abnormal, Heat Map |
| Early Warning(EW) | Yes |
| Smart Codec | N/A |
| Smart Image | N/A |
| Smart Alarm | N/A |



| Network | |
|--------------------------------|---|
| ANR | Yes, auto store video in SD card when NVR disconnected, and upload video to NVR when resumed connection (Only Support Tiandy ANR NVR) |
| Protocols | TCP/IP, ICMP, HTTP, HTTPS, DHCP, DNS, DDNS, MULTICAST, UPnP, FTP, IPV4, NTP, RTSP, SMTP, IGMP, PPPoE |
| System Compatibility | ONVIF (PROFILE S), SDK, CGI, P2P |
| Remote Connection | ≤7 |
| Client | Easy7, EasyLive |
| Web Version | Web5 |
| Interface | |
| Communication Interface | 1 RJ45 10M/100M/1000M self adaptive Ethernet port |
| Audio | 1/2, Mic in |
| Alarm | 2/1 |
| Reset Button | Yes |
| On-board storage | Built-in MicroSD card slot, up to 128 GB |
| General | |
| Firmware Version | NVSS_V9.1.0.20170206 |
| Web Client Language | 11 languages English, Russian, Spanish, Korean, Italian, Turkish, Simple Chinese, Traditional Chinese, Thai, French, Polish |
| Operating Conditions | -35°C ~ 65°C, 0 ~ 95% RH |
| Power Supply | DC12V±10%/AC24V±25%/PoE |
| Power Consumption | 8.6W/11.7W(MAX) |
| Protection | IP66, IK10 |
| Heater | N/A |
| Dimensions | Φ155×54 mm (Φ6.1*2.13 inch) |
| Weight | 0.75kg (1.65lb) |

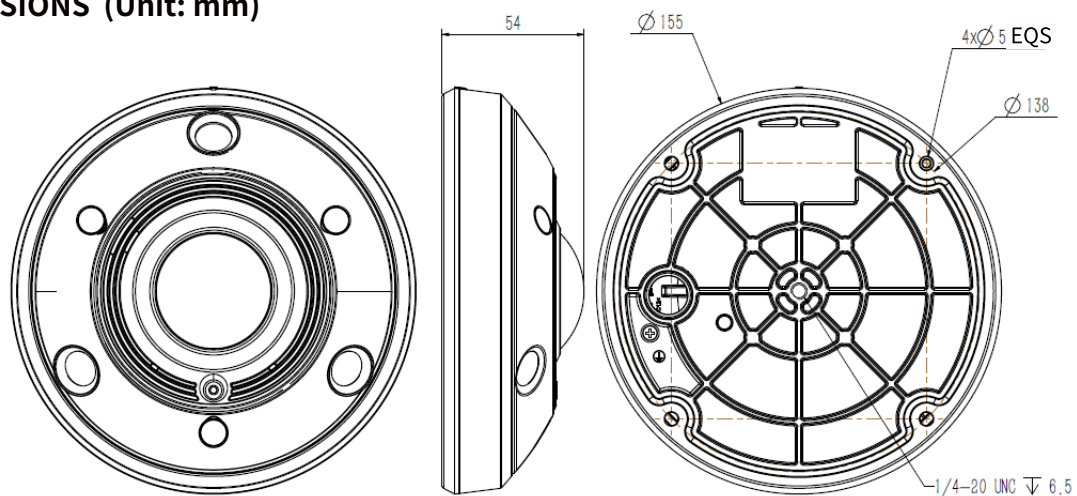
* Listed resolutions are only selectable options. It does not mean that all streams can work at their maximum resolution at the same time.

AVAILABLE MODEL

TC-NC1261

Tiandy

DIMENSIONS (Unit: mm)



ACCESSORIES



A22a
Junction Box



A22b
Junction Box

DISTRIBUTED BY



Tiandy Technologies Co.,Ltd.

Email: sales@tiandy.com
Website: en.tiandy.com

Tel: +86-22-58596065
Fax: +86-22-58596048